

ToolReg®

PRESET REGULATOR FOR AIR WITH SECONDARY PRESSURE RELIEF



ToolReg®

ToolReg® In-line preset regulator with indirect secondary pressure relief.

The ToolReg® regulator is an independent piston regulator that can be mounted on any pneumatic tool or installed in every compressed air system. It supplies a constant, exact outlet pressure regardless of the inlet pressure. The pressure is factory-set and avoids unwanted pressure manipulation. The ToolReg® prevents "dynamic pressure waste". This arises when the pressure and flow at the withdrawal point are unnecessarily higher than those specified by the manufacturer to achieve the desired function. "Dynamic pressure waste" is extremely costly, a waste of energy that may be found throughout the industry.

For pneumatic tools the ToolReg® must be mounted directly on the tool in order to ensure correct pressure, so that possible pressure drops in hoses, tubes etc. do not influence the pressure on the tool itself.

Pre-set regulators are an economical path to achieve the ideal pressure in the tool. Furthermore, the residual pressure in the tool is relieved when it is removed from the compressed air supply line, preventing unintentional actuation of the tool with disastrous consequences.

Your advantages

- ✓ Indirect secondary pressure relief
- ✓ Protection guaranteed – no residual pressure in the tool
- ✓ High flow performance (0 – 4.600 Ltrs./Min / 0 – 162 scfm)
- ✓ High pressure performance
- ✓ P1 – inlet pressure up to 25 bar / 355 psig)
- ✓ Corrosion resistant
- ✓ Supplies tools exclusively with the specified pressure
- ✓ No pressure gauge needed
- ✓ Prevents compressed air waste
- ✓ Saves energy – reduces costs
- ✓ Highly reliable
- ✓ Locked to prevent pressure change - tamper proof
- ✓ Light weight - Small and compact size

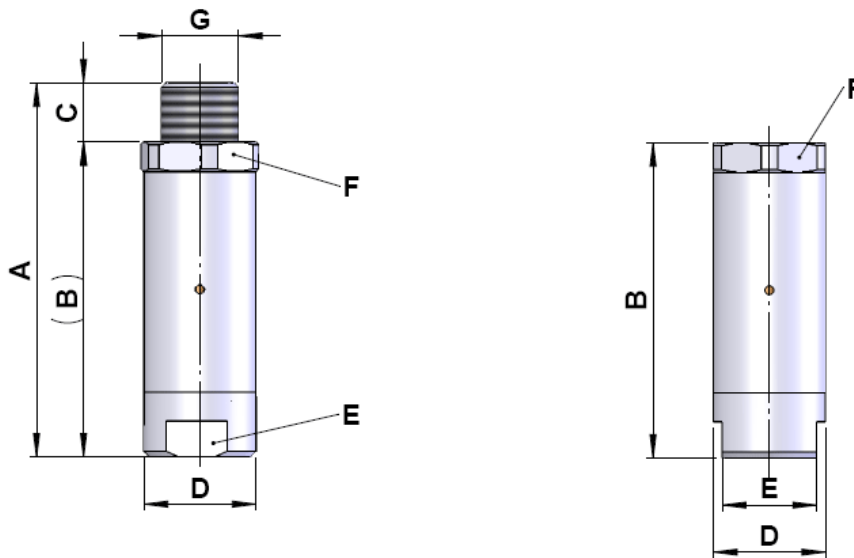


Technical data

Max. inlet pressure:	25 bar
Outlet pressure (preset):	2... 8 bar
Flow:	500... 4600 Nl/min
Connection:	1/4"... 3/4" BSP/NPT
Temperature range:	0°C to 60°C
Weight:	40g... 258g

Applications

Pneumatic Impact Wrench	Lifting bags
Pipe plugs	Pneumatic doors
Pick an place units	Workshop air lines
Nail guns	Jackhammers
Pneumatic power tools	



*Dimensions see datasheet on website – protect-air.com

