

### Standard executions

| Version                                  | Symbol | Code   | Item   |
|--|--------|--------|--------|
| 3/2 NC                                   |        | 034113 | A1E430 |
| 3/2 NA                                   |        | 034122 | A1E431 |
| 3/2 solenoid/solenoid                    |        | 034123 | A1E432 |
| 3/2 NC external air pilot                |        | 034137 | A1K430 |
| 3/2 solenoid/solenoid external air pilot |        | 034158 | A1K432 |



Series of spool valves, with static seals, high flow, for panel mounting.

Coils and connectors are to be ordered separately.

For the coils type ASA12.../ASA2...

see page 2.200.1

For the connectors type A122...

see page 2.210.20



**II 2Gc IIC T5**  
**II 2Dc T100°C**

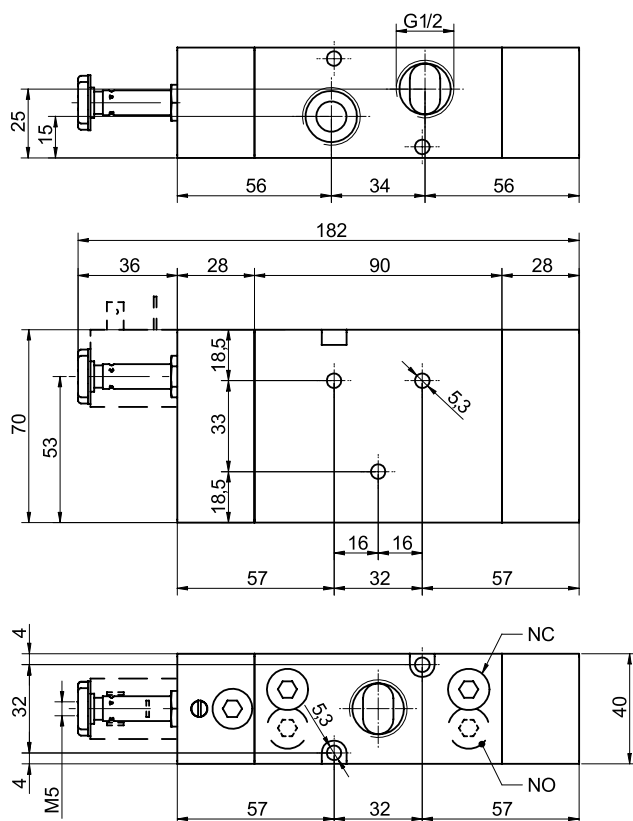
On request, they can be supplied according to 94/9/EC - **ATEX**

### Code key

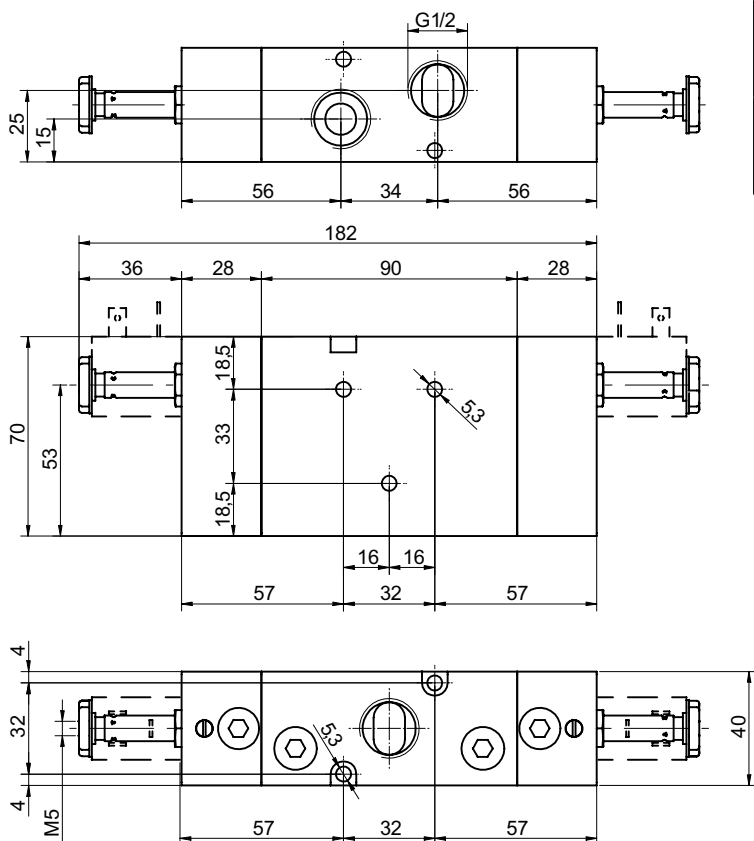
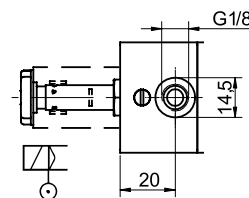
| Series | Actuation                              | Size     | Function                   |
|--------|--|----------|----------------------------|
| A1     | E = electrical                         | 1 = 1/8" | 30 = 3/2 NC                |
|        | K = electrical with external air pilot | 2 = 1/4" | 31 = 3/2 NA                |
|        |  | 4 = 1/2" | 32 = 3/2 solenoid/solenoid |
|        |  |          | 50 = 5/2 solenoid/spring   |
|        |  |          | 51 = 5/2 solenoid/solenoid |
|        |  |          | 70 = 5/3 CC                |
|        |  |          | 71 = 5/3 CA                |
|        |  |          | 72 = 5/3 CP                |

### Technical data

|                           |  |  |   |
|---------------------------|--|--|---|
| Fluid                     | Compressed filtered air with or without lubrication. Lubrication, if started, must be continued. |  |   |
| Pressure range            | 0 ÷ 10 bar   |  |   |
| Temperature range         | -10°C ÷ +60°C  |  |   |
| Orifice                   | 15 mm  |  |   |
| Flow                      | 2900 NI/min at 6 bar with ΔP 1 bar   |  |   |
| Minimum piloting pressure | Monostable: 2,5 bar  | Bistable: 1 bar                              | 3 positions: 2,5 bar                      |
| Mounting                  | In any position  |  |   |
| Manual override           | Bistable on solenoid pilot - Monostable on valve body  |  |   |
| Response time (at 6 bar)  | solenoid/spring  |  | solenoid/solenoid                         |
|                           | Energising: 60 ms  | De-energising: 36 ms                         | Energising: 30 ms<br>De-energising: 30 ms |
| Materials                 | Body:  | Anodised aluminium                           |   |
|                           | Covers:  | Anodised aluminium                           |   |
|                           | Spool:   | Hard aluminium anodized                      |   |
|                           | Distancers:  | Aluminium                                    |   |
|                           | Seals:   | Hydrogenated Nitrile Butadiene Rubber (HNBR) |   |



| Version                      | Symbol | Code   | Item   |
|------------------------------|--------|--------|--------|
| 3/2 NC                       |        | 034113 | A1E430 |
| 3/2 NA                       |        | 034122 | A1E431 |
| 3/2 NC<br>external air pilot |        | 034137 | A1K430 |



| Version  | Symbol | Code   | Item   |
|--|--------|--------|--------|
| 3/2<br>solenoid/solenoid                       |        | 034123 | A1E432 |
| 3/2<br>solenoid/solenoid<br>external air pilot |        | 034158 | A1K432 |

