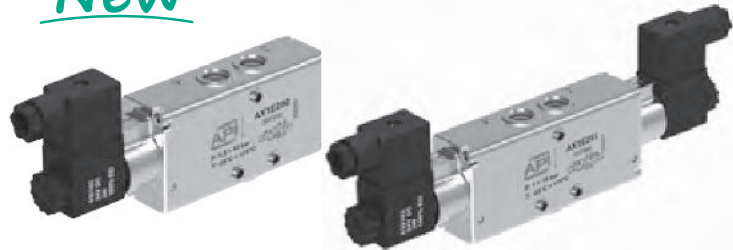


New



New series of "AX" valves with functions 5/2, 5/3 connections in line on the body, electric and electric servo pilot.

They are manufactured in AISI 316L stainless steel, especially suitable in the food, chemical, pharmaceutical, Oil & Gas and mining industry.

AX valves are manufactured according to 2014/34/EU Directive to be used in potentially explosive environment.

II 2Gc IIB T5
II 2Dc T100°C

Coils and connectors are to be ordered separately:

For the coils type ASA12... see page 2.200.1
 For the coils type ASA2... see page 2.200.10
 For the coils type ASA34... (only for EG/KG) see page 2.200.30
 For connector see that suggested to the coil

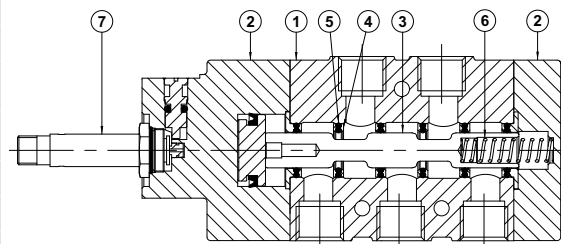
For the ATEX valves with coils Ex see version XX-XA-XB-XC-XD from page 5.81.1

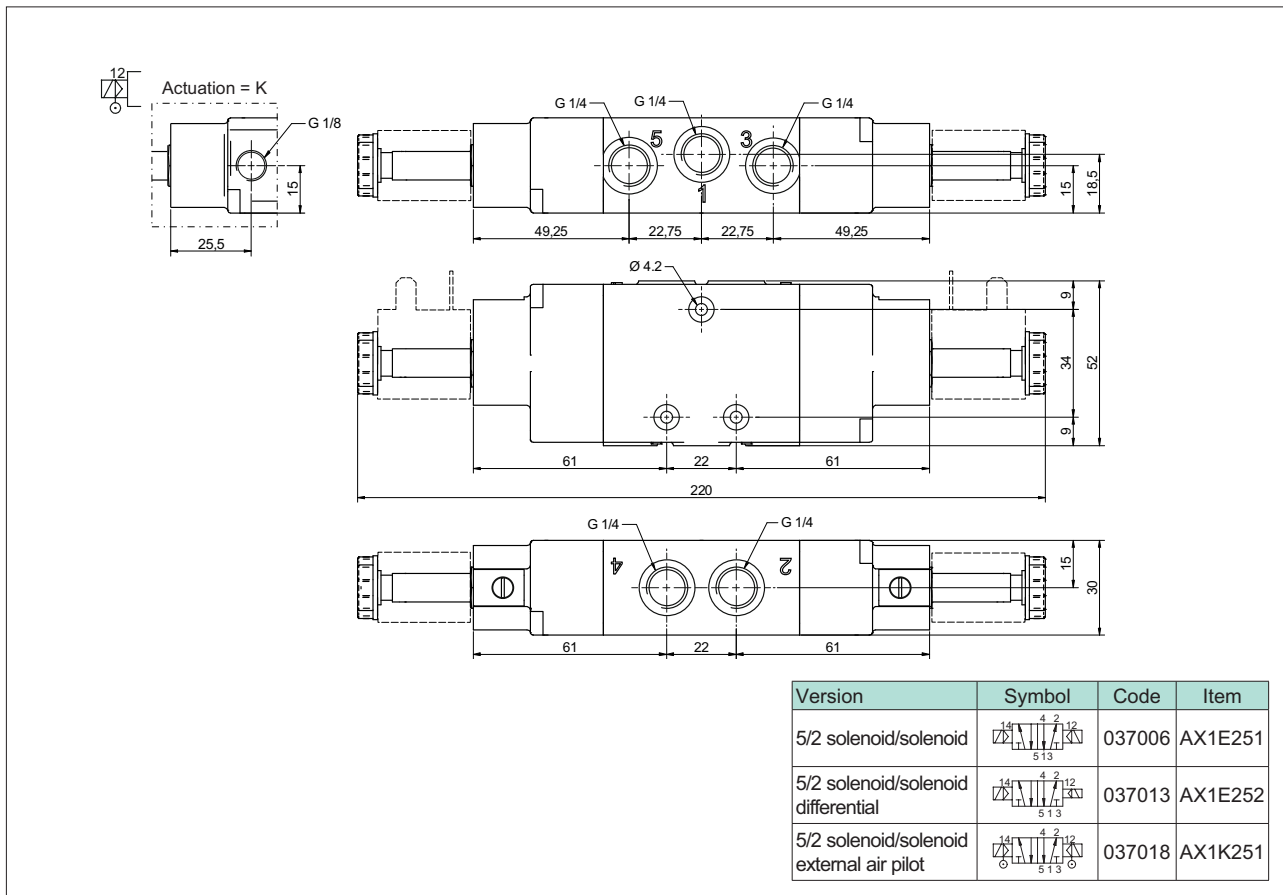
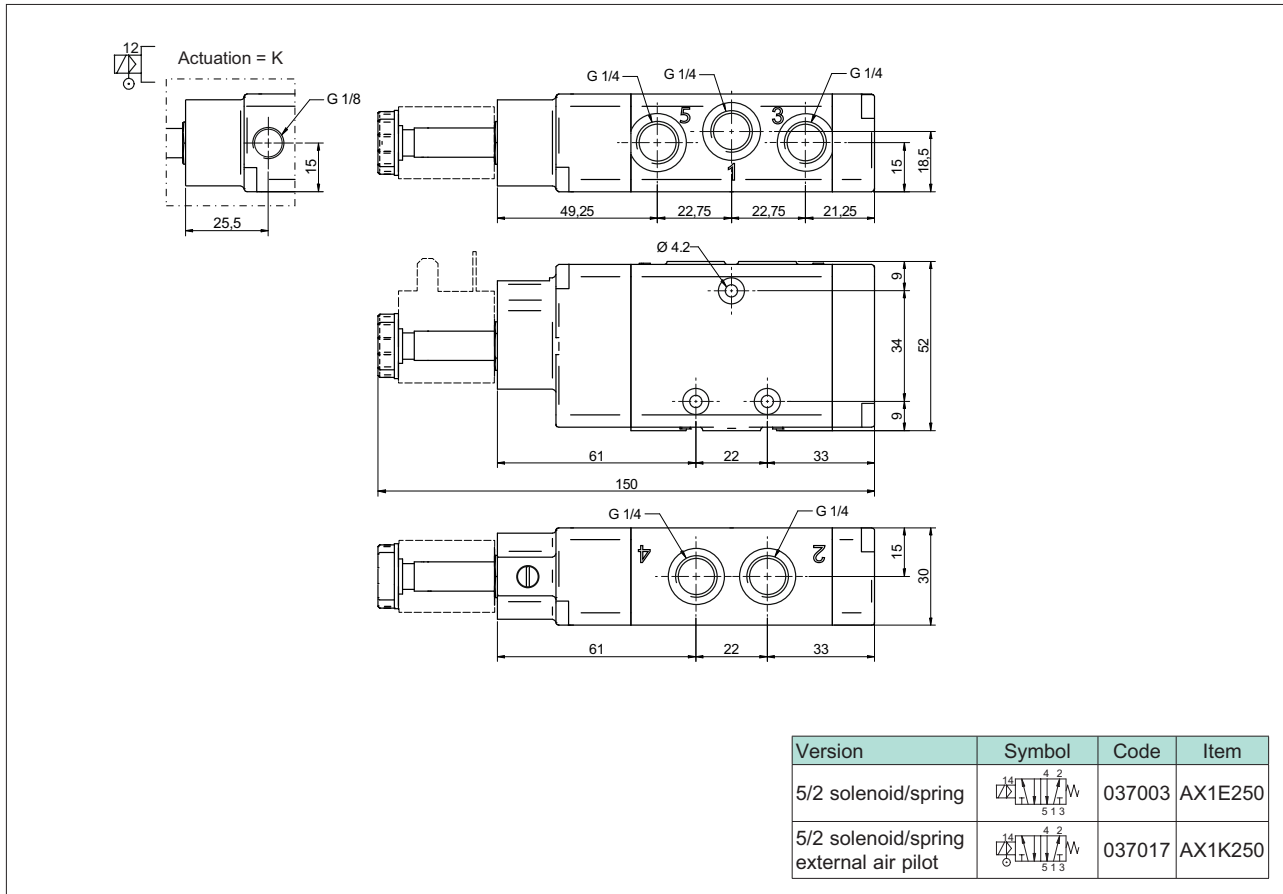
Standard executions			
Version	Symbol	Code	Item
5/2 solenoid/spring		037003	AX1E250
5/2 solenoid/solenoid		037006	AX1E251
5/2 solenoid/solenoid differential		037013	AX1E252
5/3 closed centres		037014	AX1E270
5/3 open centres		037015	AX1E271
5/3 pressurised centres		037016	AX1E272
5/2 solenoid/spring external air pilot		037017	AX1K250
5/2 solenoid/solenoid external air pilot		037018	AX1K251
5/3 closed centres, external air pilot		037019	AX1K270
5/3 open centres, external air pilot		037020	AX1K271
5/3 pressurised centres external air pilot		037021	AX1K272

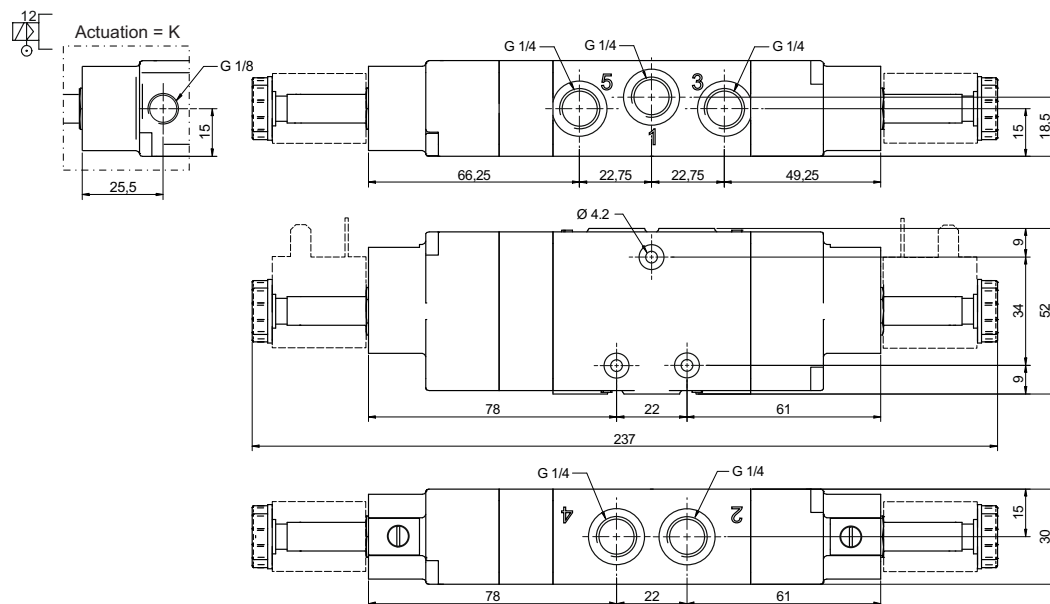
Code key				
Series	Actuation	Size	Function	Option
AX1 = Standard AXX1 = Completely in stainless steel	E = electrical Ø9 K = electrical Ø9 external air pilot EG = electrical Ø13* KG = electrical Ø13* external air pilot	2 = 1/4 Gas 2N = 1/4 NPT	50 = 5/2 solenoid/spring 51 = 5/2 solenoid/solenoid 52 = 5/2 solenoid/solenoid differential 70 = 5/3 CC 71 = 5/3 OC 72 = 5/3 PC	V = Seals FKM

* For actuation EG/KG use coils type ASA34

Technical data				
Fluid	Compressed filtered air with or without lubrication. Lubrication, if started, must be continued.			
Threaded connection	1/4 Gas - 1/4 NPT			
Pressure range	Standard	Spring return: 1,5 + 10 bar (E)	Bistable: 1 + 10 bar (E)	3 position: 2,5 + 10 bar (E)
	High pressure	Spring return: 1,5 + 12 bar (EG)	Bistable: 1 + 12 bar (EG)	3 position: 2,5 + 12 bar (EG)
Minimum external air pressure	1,5 bar (K - KG)			
Temperature range	-25°C + +70°C			
	-10°C + +150°C (V)			
Ø Orifice	8 mm			
Flow	1.100 NI/min at 6 bar with ΔP 1 bar			
Mounting	In any position (vertical assembly is not recommended for bistable valves subjected to vibration)			
Manual override	Bistable			
Response time (at 6 bar)	Energising: - ms		Energising: - ms	Energising: - ms
	De-energising: - ms		De-energising: - ms	De-energising: - ms
Materials	(1) Body:	Stainless steel AISI 316L		
	(2) Cover:	Stainless steel AISI 316L		
	(3) Spool:	Hard aluminium anodized (AX1 series) Stainless steel AISI 316 (AXX1 series)		
	(4) Distancers:	Fortron 1140L4 (AX1 series) Stainless steel AISI 316 (AXX1 series)		
	(5) Seals:	Hydrogenate Nitrile Butadine Rubber (HNBR)		
	(6) Spring:	Stainless steel		
	(7) Operator:	Stainless steel		







Version	Symbol	Code	Item
5/3 closed centres		037014	AX1E270
5/3 open centres		037015	AX1E271
5/3 pressurised centres		037016	AX1E272

Version	Symbol	Code	Item
5/3 closed centres, external air pilot		037019	AX1K270
5/3 open centres, external air pilot		037020	AX1K271
5/3 pressurised centres external air pilot		037021	AX1K272