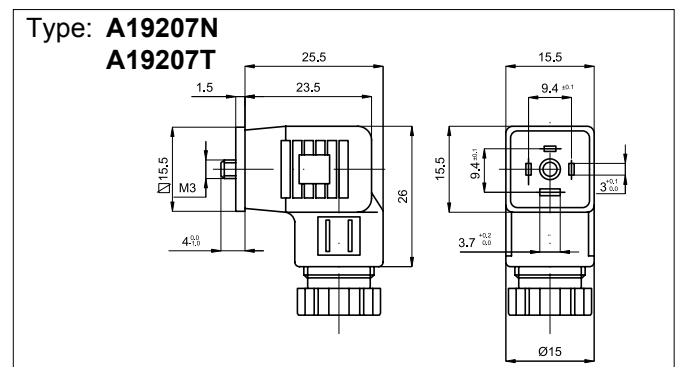


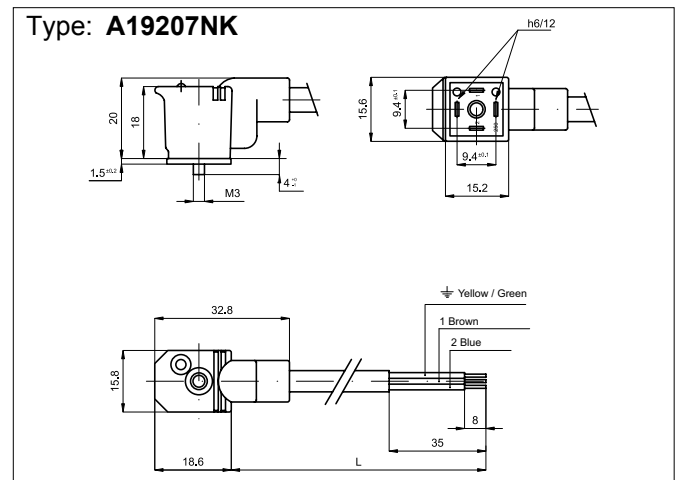
Standard executions		
Version	Code	Item
Standard, black	032117	A19207N
Standard, black, cabled	033511	A19207NK
With LED+VDR, transparent 24 V, AC-DC	032201	A19207T1
With LED+VDR, transparent 115 V, AC-DC	032202	A19207T2
With LED+VDR, transparent 230 V, AC-DC	032203	A19207T3
With LED+VDR, black cabled 24 V, AC-DC	033512	A19207N1K
With LED+VDR, black cabled 115 V, AC-DC	033513	A19207N2K
With LED+VDR, black cabled 230 V, AC-DC	033514	A19207N3K



Series of connectors for coils ASA19.  
 In the standard version they are provided with fixing screw and NBR profiled seal.  
 In the provided versions the colour of the LED is yellow.



Data of the standard cable	
Lenght	2 mt.
Material	Self-extinguishing polypropylene
Colour	Grey
Wires colour	Conforming to ENEL 0722 standards
External diameter	5,5 mm.
Insulation	300 V
Temperature range	- 5 °C ÷ + 70 °C
Standard	CEI 2022 II OR
Wire section	3x0,5 mm <sup>2</sup>



Technical data	Standard	Transparent with circuit	Moulding
Contact distance	9,4 mm	9,4 mm	9,4 mm
Nominal voltage	AC max 250 V; DC max 300 V	250 V	250 V
Nominal current	6 A	6 A	-
Maximum current on contacts	10 A	10 A	-
Maximum current	-	-	3 A
Contact resistance	≤ 4 m Ohm	≤ 4 m Ohm	≤ 4 m Ohm
Maximum conductor section	0,75 mm <sup>2</sup>	0,75 mm <sup>2</sup>	-
Gland size option	Pg 07	Pg 07	-
Protection class	IP 65 EN 60529	IP 65 EN 60529	IP 65 EN 60529
Insulation class	VDE 0110 - 1/89	VDE 0110 - 1/89	VDE 0110 - 1/89
Temperature range	- 40°C ÷ + 90 °C	- 40°C ÷ + 90 °C	- 40°C ÷ + 90 °C
Earth contact (number)	1	1	2, connected (pos. 6/12)
Poles	2	2	2