

Standard executions		
Version	Symbol	Type
Non magnetic		BS
Magnetic		BSM



II 2Gc IIC T5
II 2Dc T100°C

On request, they can be supplied according to 94/9/EC - **ATEX**

Options		Suffix
Rear spring	from bore 12 to 63 mm.	T
Seals FKM	max 150 °C	V
Special versions on request		/ S

The options can be combined (when this is possible)

Series of short stroke cylinders with extruded aluminium profile barrel and fixing holes directly made on it.

In the magnetic type the sensor can be fixed in the groove for sensor mounting by the bracket not included in the kit.

The magnetic version is provided with elastic dampers set on the heads.

For the magnetic reed switches type ASV see from page 1.110.1.

For the bracket type AS108 see page 1.120.1

For mounting accessories see from page 1.20.20.

For the rod with male thread see nipple page 1.20.20.

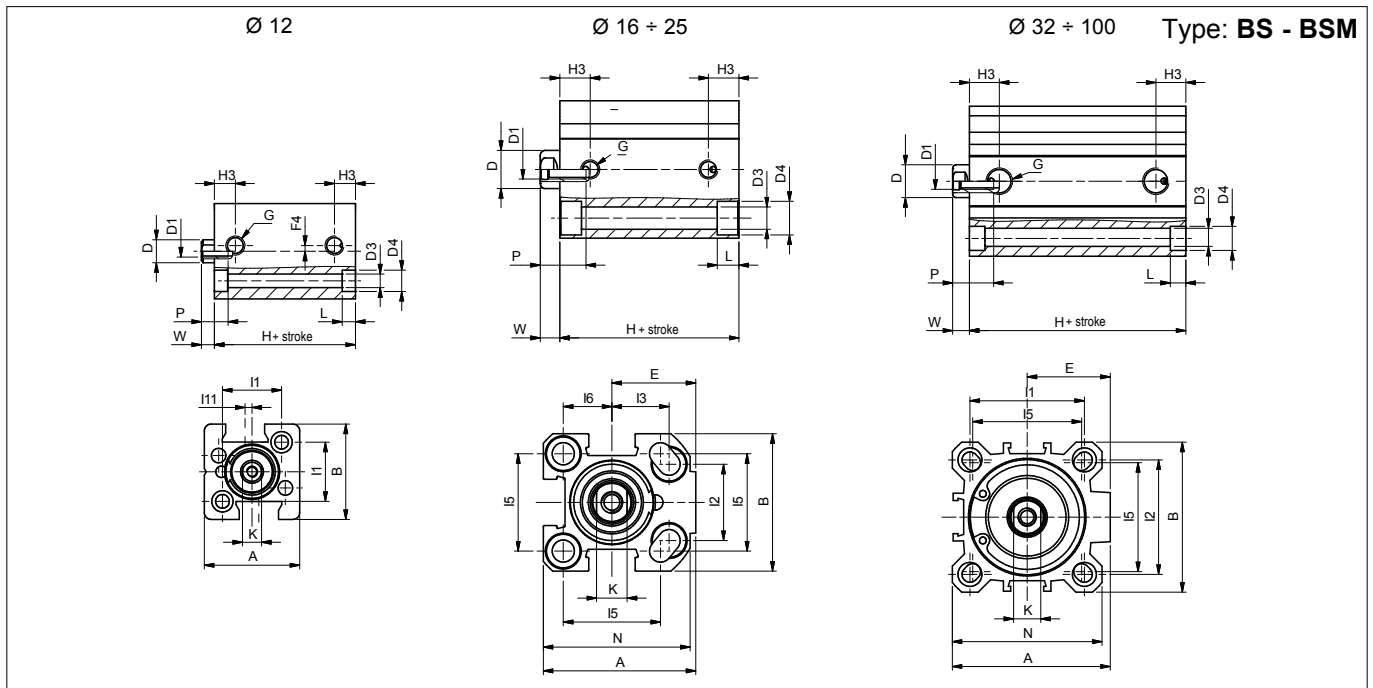
For rod accessories see from page 1.85.1.

How to order: 50 / 50 BSMT

50	/	50	BSM	T
Bore	/	Stroke	Type	Option

Technical data	
Fluid	Compressed filtered air with or without lubrication. Lubrication, if started, must be continued.
Pressure	2 ÷ 10 bar
Temperature range	-20 °C ÷ + 80°C
Materials	Heads: from 12 to 25 mm.: Brass from 32 to 100 mm.: Aluminium Tube: Anodised aluminium Rod: Stainless steel AISI 303 Seals: NBR Piston: Non magnetic: from 12 to 32 mm: Delrin Magnetic: from 40 to 100 mm: Aluminium from 12 to 63 mm: Delrin from 80 to 100 mm: Aluminium

Bore (mm)	Standard strokes (mm)	Max stroke (mm)	Thrust force at 6 bar (N)	Traction force of the spring (N)
12	5, 10, 15, 20, 25	25	51	5
16			106	6
20			170	6
25			258	13
32	5, 10, 15, 20, 25, 30, 40, 50	50	441	18
40			729	20
50			1070	40
63			1720	49
80			2880	76
100			4400	131



Type: BS

mm Ø	A	B	D Ø	D1	D3 Ø	D4 Ø	E	G	H	H3	I1	I2	I3	I5	I6	K	L	L1	N	P	W
12	25	25	6	M3	3,7	5,6	-	M5	17	5,5	15,5	-	-	-	-	5	3,5	-	-	6	3,5
16	34	30	8	M4	4,7	7,5	19	M5	27	8	-	18	12	20	10	6	4,6	3,5	32	8	4,5
20	40	36	10	M5	5,8	9	22	M5	27	8	-	20	15	25,5	12,7	8	5,7	5,7	38,5	10	5
25	44,5	40	10	M5	5,8	9	24,5	1/8"	28,5	10,5	-	26	15,5	28	14	8	5,7	5,7	42	10	5,5
32	51	46	12	M6	5,8	9	27	1/8"	29,5*	11,5	36	32	-	34	-	10	5,7	-	48	12	6
40	58	55	12	M6	5,8	9	30,5	1/8"	29,5*	11	42	42	-	40	-	10	5,7	-	55	12	6
50	70	65	16	M8	6,8	11	37,5	1/8"	34,5*	11,5	50	50	-	50	-	13	6,8	-	65	12	7,5
63	89	80	16	M8	9	14	46	1/8"	37*	11	62	62	-	60	-	13	8,8	-	80	14	7
80	105	100	20	M10	9	14	55	1/4"	46*	14	82	82	-	77	-	17	9	-	100	15	8
100	131	124	25	M12	11	17,2	69	1/4"	56*	16	103	103	-	94	-	22	11	-	124	20	10

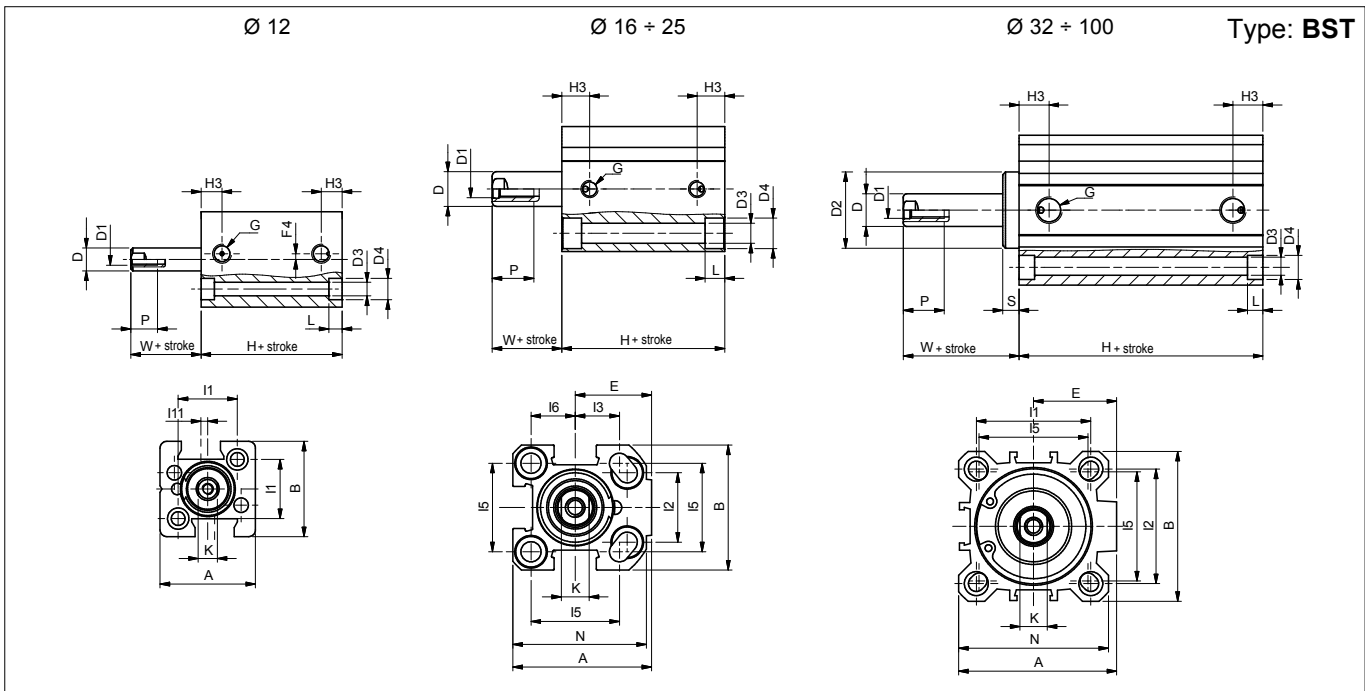
* for strokes 40 - 50: Ø 32-40-50-63-80-100 add +10 mm

Type: BSM

mm Ø	A	B	D Ø	D1	D3 Ø	D4 Ø	E	G	H	H3	I1	I2	I3	I5	I6	K	L	L1	N	P	W
12	25	25	6	M3	3,7	5,6	-	M5	27	5,5	15,5	-	-	-	-	5	3,5	-	-	6	3,5
16	34	30	8	M4	4,7	7,5	19	M5	32*	8	-	18	12	20	10	6	4,6	3,5	32	8	4,5
20	40	36	10	M5	5,8	9	22	M5	32*	8	-	20	15	25,5	12,7	8	5,7	5,7	38,5	10	4,5
25	44,5	40	10	M5	5,8	9	24,5	1/8"	38,5*	10,5	-	26	15,5	28	14	8	5,7	5,7	42	10	5,5
32	51	46	12	M6	5,8	9	27	1/8"	39,5*	11,5	36	32	-	34	-	10	5,7	-	48	12	5,5
40	58	55	12	M6	5,8	9	30,5	1/8"	39,5*	11	42	42	-	40	-	10	5,7	-	55	12	6,5
50	70	65	16	M8	6,8	11	37,5	1/8"	39,5*	11,5	50	50	-	50	-	13	6,8	-	65	12	7,5
63	89	80	16	M8	9	14	46	1/8"	42*	11	62	62	-	60	-	13	8,8	-	80	14	6,5
80	105	100	20	M10	9	14	55	1/4"	46*	14	82	82	-	77	-	17	9	-	100	15	8
100	131	124	25	M12	11	17,2	69	1/4"	56*	16	103	103	-	94	-	22	11	-	124	20	10

* for strokes 25: Ø 16-20 add +6 mm // Ø 25 add +1 mm

* for stroke 40-50: Ø 32-40-50-63-80-100 add +10 mm



mm Ø	A	B	D Ø	D1 Ø	D2 Ø	D3 Ø	D4 Ø	E	G	H	H3	I1	I2	I3	I5	I6	K	L	L1	N	P	S	W
12	25	25	6	M3	-	3,7	5,6	-	M5	27	5,5	15,5	-	-	-	-	5	3,5	-	-	6	-	3,5
16	34	30	8	M4	-	4,7	7,5	19	M5	32*	8	-	18	12	20	10	6	4,6	3,5	32	8	-	4,5
20	40	36	10	M5	-	5,8	9	22	M5	32*	8	-	20	15	25,5	12,7	8	5,7	5,7	38,5	10	-	4,5
25	44,5	40	10	M5	-	5,8	9	24,5	1/8"	38,5*	10,5	-	26	15,5	28	14	8	5,7	5,7	42	10	-	5,5
32	51	46	12	M6	24,5	5,8	9	27	1/8"	39,5	11,5	36	32	-	34	-	10	5,7	-	48	12	5	11
40	58	55	12	M6	28	5,8	9	30,5	1/8"	39,5	11	42	42	-	40	-	10	5,7	-	55	12	6	12,5
50	70	65	16	M8	34	6,8	11	37,5	1/8"	39,5	11,5	50	50	-	50	-	13	6,8	-	65	12	6	13,5
63	89	80	16	M8	38,5	9	14	46	1/8"	42	11	62	62	-	60	-	13	8,8	-	80	14	8	15

* for strokes 20-25: Ø 20 add +11 mm // Ø 25 add +6 mm // Ø 32 add +5 mm

* for stroke 30: Ø 32 add +10 mm