

## VACUUM PUMPS VTL 2 and 4

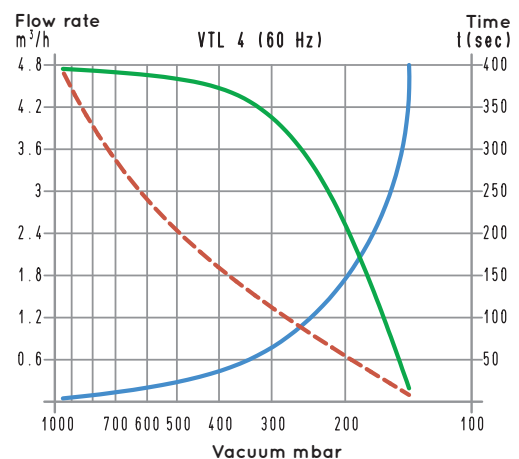
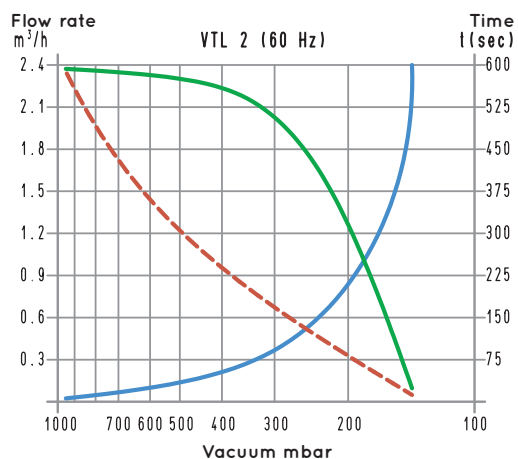
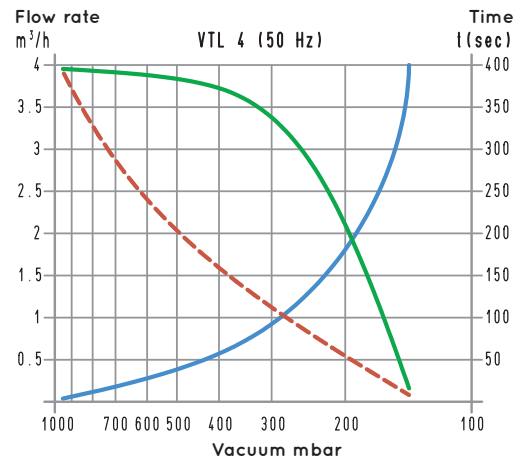
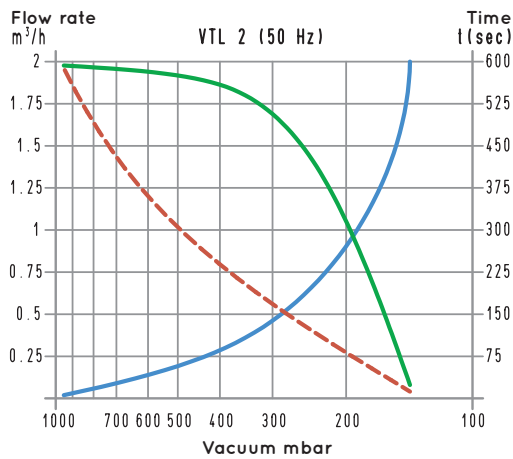
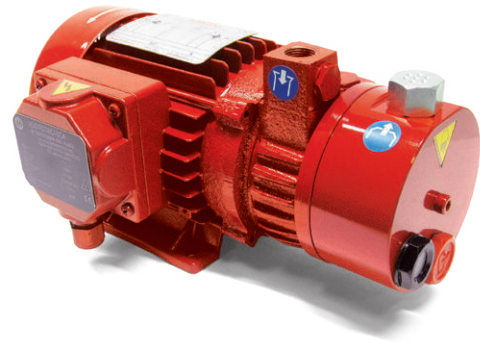
These small vacuum pumps have a suction flow rate of 2 and 4 m<sup>3</sup>/h. They feature a wick lubrication with oil recirculation, while the rotor, which is cantilevered-fitted on the motor shaft, allows reducing the overall dimensions to the minimum.

The motor and the pump are cooled by the motor fan (surface cooling).

The pumps are equipped with a small tank in line with the pump, which contains the lubrication oil as well as a separator filter to prevent oil mists and to reduce noise.

We strongly recommend installing a check valve and a filter on the suction inlet.

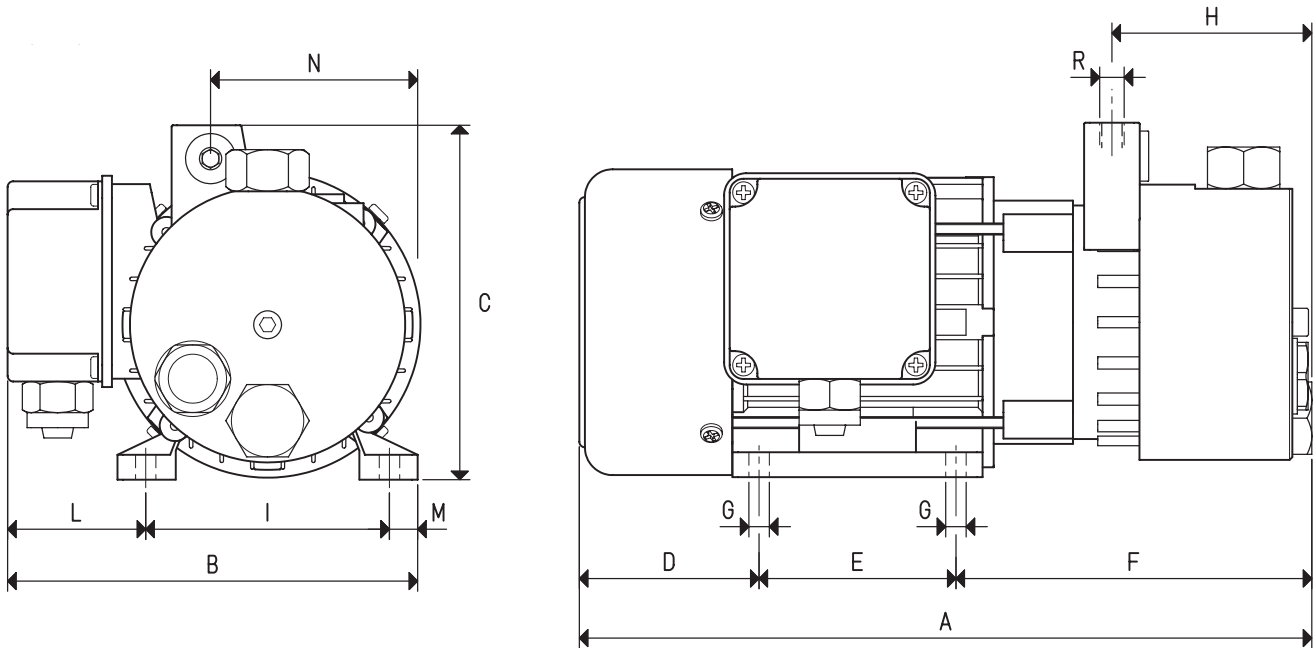
Pumps VTL 2 and 4 can also be supplied with single-phase electric motor.



To calculate the emptying time of a volume of  $V_1$ , use the following formula:  $t_1 = \frac{t \times V_1}{100}$

- Curve relative to the flow rate (referring to the suction pressure)
- - - Curve relative to the flow rate (referring to a 1013 mbar pressure)
- Curve regarding the emptying time of a 100-litre volume

$V_1$ : Volume to be emptied (l)  
 $t_1$ : time to be calculated (sec)  
 $t$ : time obtained in the table (sec)



Item		VTL 2		VTL 4	
<b>Frequency</b>		50Hz	60Hz	50Hz	60Hz
<b>Flow rate</b>	m <sup>3</sup> /h	2.0	2.4	4.0	4.8
<b>Final pressure</b>	mbar abs.	150		150	
<b>Motor performance</b>	3~	230/400±10%	265/460±10%	230/400±10%	265/460±10%
<b>Volt</b>	1~		230±10%		230±10%
<b>Motor power</b>	3~	0.12	0.15	0.18	0.21
<b>Kw</b>	1~	0.12	0.15	0.18	0.21
<b>Motor protection</b>	IP		55		55
<b>Rotation speed</b>	g/min <sup>-1</sup>	2700	3245	2760	3300
<b>Motor shape</b>			Speciale		Speciale
<b>Motor size</b>			56		63
<b>Noise level</b>	dB(A)	62	65	62	65
<b>Max weight</b>	3~		5.7		7.3
<b>Kg</b>	1~		6.0		7.5
<b>A</b>			260		285
<b>B</b>			145		160
<b>C</b>			126		132
<b>D</b>			62		66
<b>E</b>			71		81
<b>F</b>			127		139
<b>G</b>	∅		6.5		7.5
<b>H</b>			72		81
<b>I</b>			90		100
<b>L</b>			43		48
<b>M</b>			12		12
<b>N</b>			76		86
<b>R</b>	∅ gas		G1/4"		G3/8"
Accessories and Parts		VTL 2		VTL 4	
<b>Oil charge</b>	L		0.05		0.05
<b>Lubricating oil</b>	type		ISO 32		ISO 32
<b>4 vanes</b>	item		00 VTL 02 10		00 VTL 04 10
<b>Sealing kit</b>	item		00 KIT VTL 02		00 KIT VTL 04
<b>Check valve</b>	item		10 01 15		10 02 15
<b>Suction filter</b>	item		FB 5		FB 10/FC 10

Note: Add the letter M to the item for a pump supplied with a single-phase electric motor (Example: VTL 2 M).