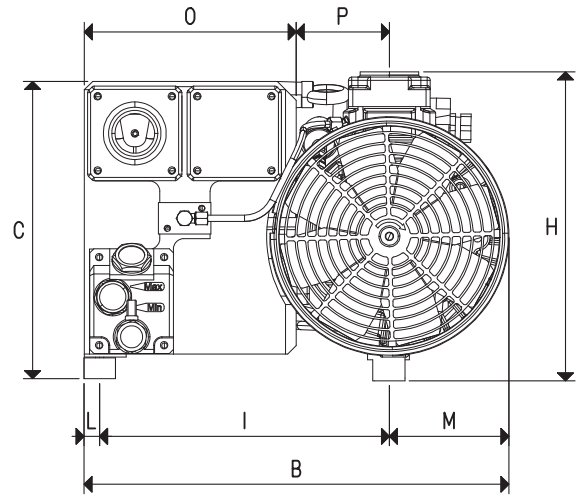
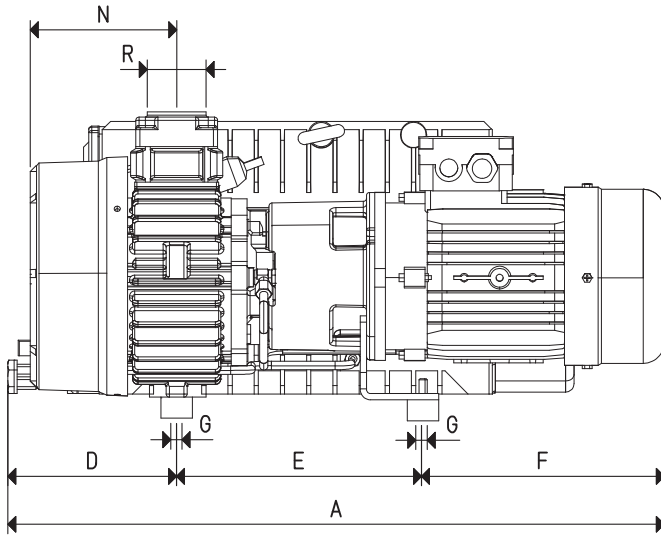


To calculate the emptying time of a volume of V_1 , use the following formula: $t_1 = \frac{t \times V_1}{100}$

- Curve relative to the flow rate (referring to the suction pressure)
- - - Curve relative to the flow rate (referring to a 1013 mbar pressure)
- Curve regarding the emptying time of a 100-litre volume

- V_1 : Volume to be emptied (l)
- t_1 : time to be calculated (sec)
- t : time obtained in the table (sec)



Item		RVP 60	
Frequency		50 Hz	60 Hz
Flow rate	m ³ /h	60.0	72.0
Final pressure	mbar abs.	0.5	
H ₂ O steam quantity permitted	Kg/h	1	
Motor performance 3~	Volt	230/400 ± 10%	275/480 ± 10%
Motor power 3~	Kw	1.50	1.80
Motor protection	IP	55	
Rotation speed	g/min ⁻¹	1450	1740
Motor shape		B14	
Motor size		100	
Noise level	dB(A)	65	66
Max weight	Kg	59.0	
A		615	
B		420	
C		290	
D		148	
E		317	
F		217	
G	∅	M8	
H		298	
I		276	
L		15	
M		129	
N		140	
O		200	
P		89	
R	∅ gas	G1"1/4	
Accessories and Parts		RVP 60	
Oil charge	L	2	
Lubricating oil	type	VT OIL 100	
Oil filter	item	00 RVP 60 07	
2 deoiling cartridges	item	00 RVP 60 05	
3 vanes	item	00 RVP 60 04	
Sealing kit	item	00 RVP 60 06	
Check valve	item	00 RVP 60 03	
Suction filter	item	FC 35	
Ballast valve	item	integrated	