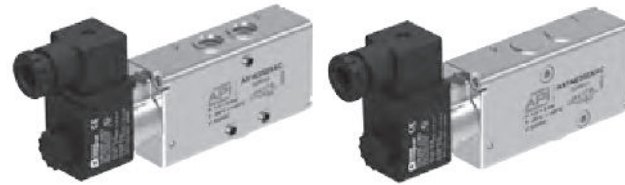


Standard executions		
Version	Symbol	Code
3/2 NC		For code key see the table below
3/2 NO		
3/2 solenoid/solenoid		
5/2 solenoid/spring		
5/2 solenoid/solenoid		
5/2 solenoid/solenoid differential		
5/3 closed centres		
5/3 open centres		
5/3 pressurised centres		



*New*

New series of "AX" valves with functions 3/2 - 5/2 - 5/3 connection in line on the body or NAMUR. Electric and electric servo pilot.

They are manufactured in AISI 316L stainless steel, especially suitable in the food, chemical, pharmaceutical, Oil & Gas and mining industry.

AX valves are manufactured according to 2014/34/EU Directive to be used in potentially explosive environment.

Low consumption solenoid operator, conforming to 2014/34/EU Directive, certified:

II 2G Ex ia IIC T6

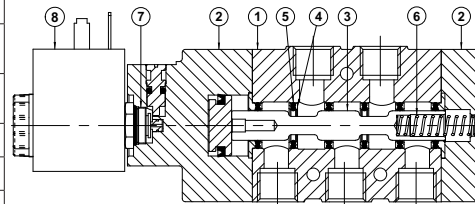
Connectors are to be ordered separately:

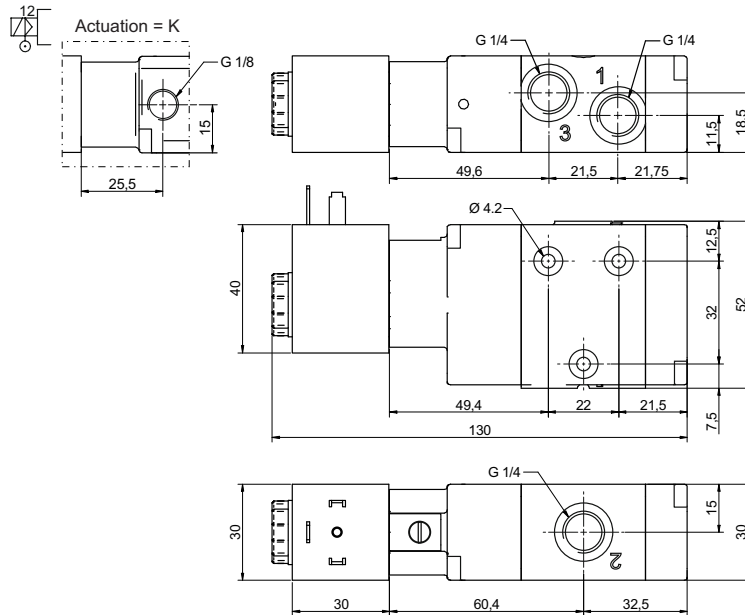
For connector type A18209N/ATEX

see page 2.210.50

Code key					
Series	Actuation	Size	Function	Hazardous areas	Voltages
AX1 = Standard AXX1 = Completely in stainless steel AX1N = NAMUR AXX1N = NAMUR Completely in stainless steel	E = electrical Ø9 K = electrical Ø9 external air pilot	2 = 1/4 Gas 2N = 1/4 NPT	30 = 3/2 NC 31 = 3/2 NO 32 = 3/2 solenoid/solenoid 50 = 5/2 solenoid/spring 51 = 5/2 solenoid/solenoid 52 = 5/2 solenoid/solenoid differential 70 = 5/3 CC 71 = 5/3 OC 72 = 5/3 PC	XA = II 2G Ex ia IIC T6	C = 24 VDC

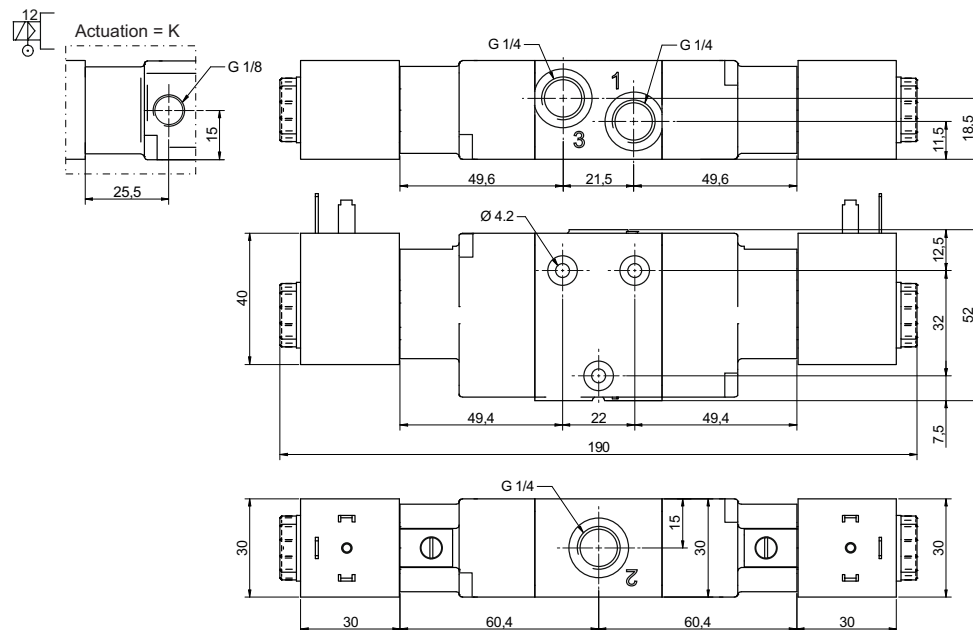
Technical data			
Fluid	Compressed filtered air with or without lubrication. Lubrication, if started, must be continued.		
Threaded connection	1/4 Gas - 1/4 NPT		
Pressure range	Spring return: 1,5 ÷ 8 bar      Bistable: 1 ÷ 8 bar      3 position: 2,5 ÷ 8 bar		
Minimum external air pressure	2 bar		
Temperature range	-25°C + +50°C		
Ø Orifice	8 mm		
Flow	1.100 NI/min at 6 bar with ΔP 1 bar		
Mounting	In any position (vertical assembly is not recommended for bistable valves subjected to vibration)		
Manual override	Bistable		
Electrical characteristic	Nominal voltage	21.6 ÷ 28 VDC	
	Max voltage	32 VDC	
	Nominal current	0.195 A (at 32 VDC)	
	Nominal power	1.6 W (at 32 VDC)	
	Duty cycle	100% ED	
	Temp. class	T6	
Response time (at 6 bar)	Energising: - ms	Energising: - ms	Energising: - ms
	De-energising: - ms	De-energising: - ms	De-energising: - ms
Materials	(1) Body:	Stainless steel AISI 316L	
	(2) Cover:	Stainless steel AISI 316L	
	(3) Spool:	Hard aluminium anodized (AX series) Stainless steel AISI 316 (AXX series)	
	(4) Distancers:	Fortron 1140L4 (AX series) Stainless steel AISI 316 (AXX series)	
	(5) Seals:	Hydrogenate Nitrile Butadine Rubber (HNBR)	
	(6) Spring:	Stainless steel	
	(7) Operator:	Brass	
	(8) Coil:	Thermoset resin	





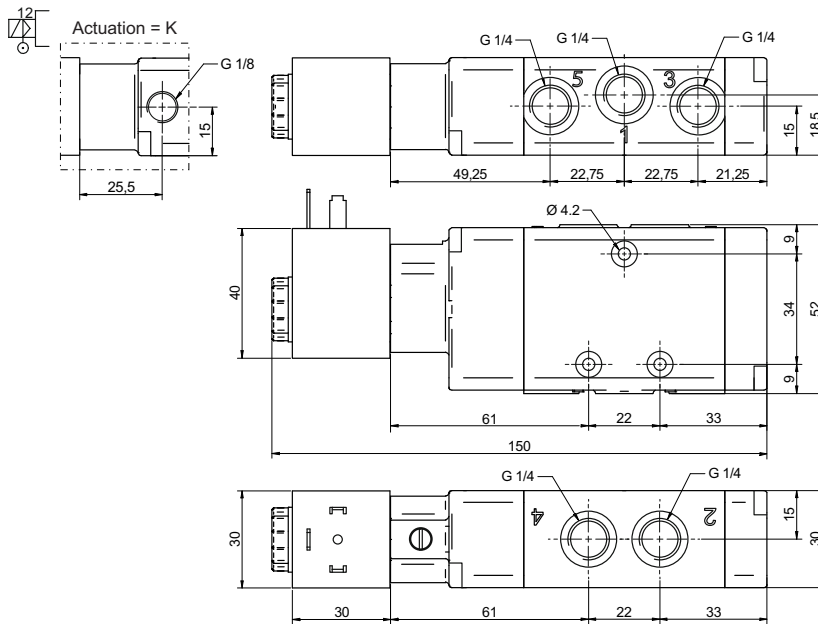
Version	Symbol	Code	Item
3/2 NC			AX1E230XAC
3/2 NO			AX1E231XAC
3/2 NC external air pilot			AX1K230XAC

\* For coil voltage: see code key at page 5.82.1



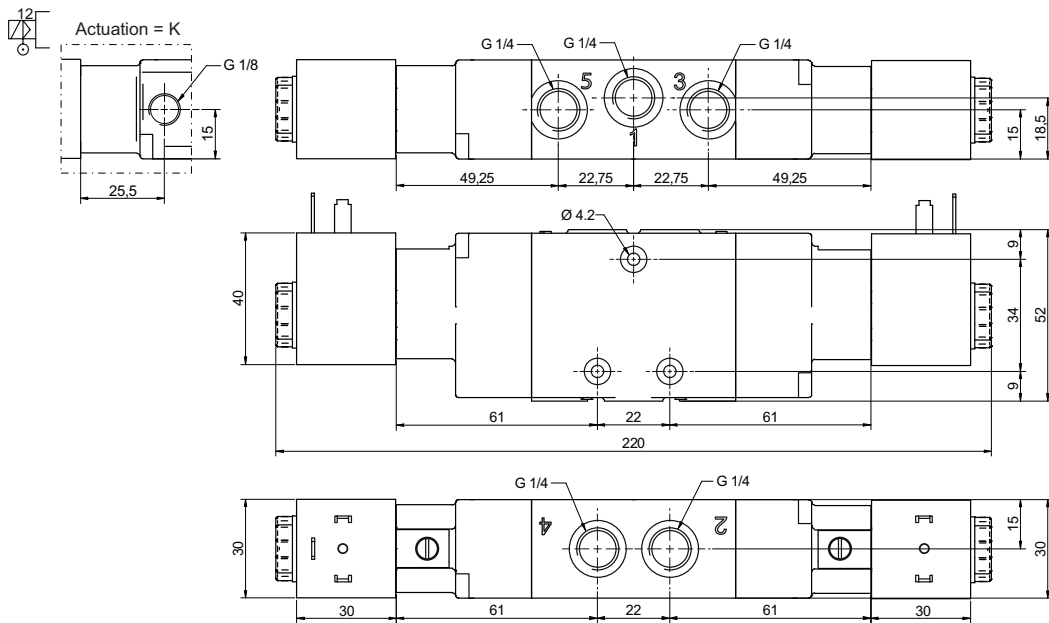
Version	Symbol	Code	Item
3/2 solenoid/solenoid			AX1E232XAC
3/2 solenoid/solenoid external air pilot			AX1K232XAC

\* For coil voltage: see code key at page 5.82.1



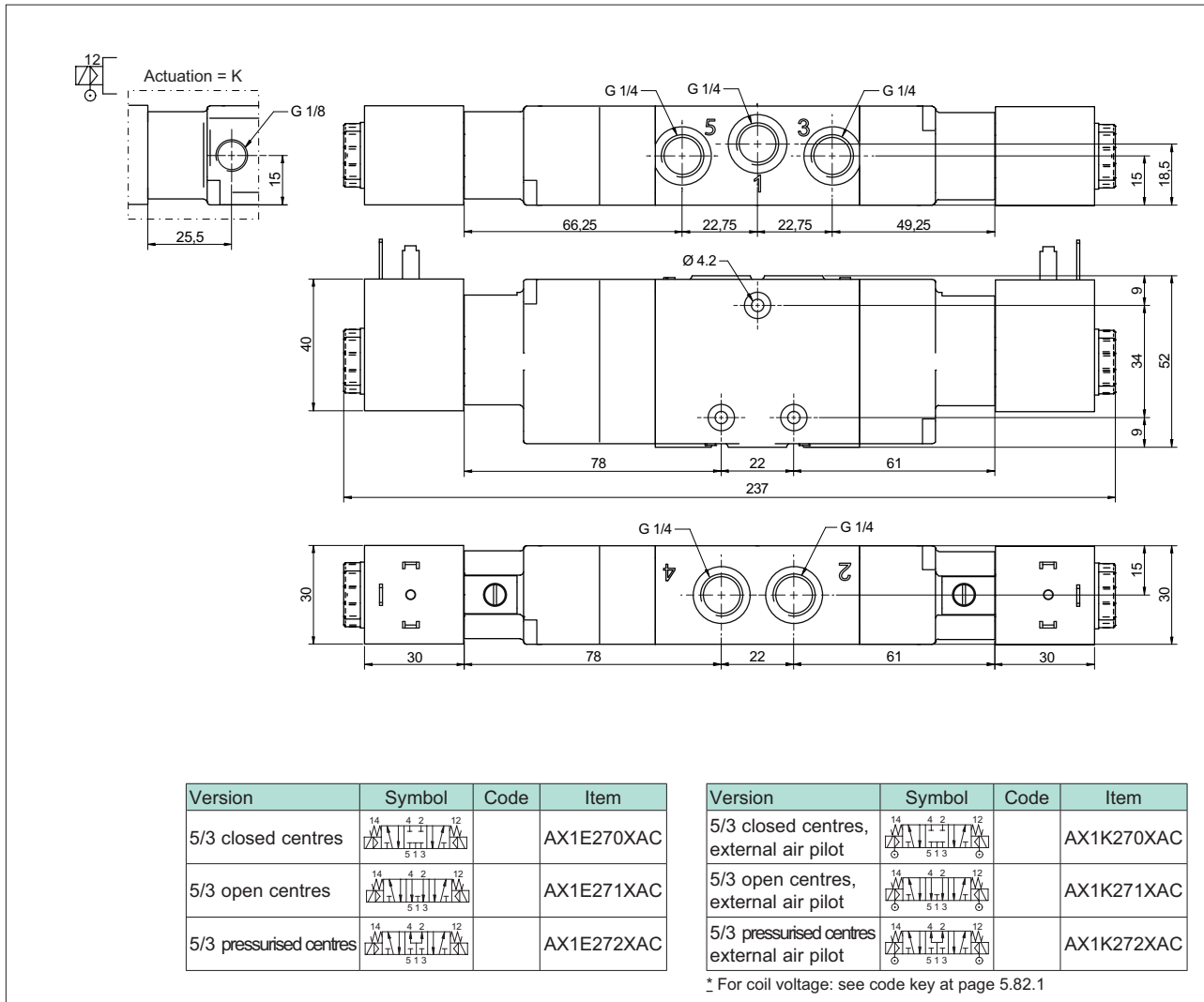
Version	Symbol	Code	Item
5/2 solenoid/spring			AX1E250XAC

\* For coil voltage: see code key at page 5.82.1



Version	Symbol	Code	Item
5/2 solenoid/solenoid			AX1E251XAC
5/2 solenoid/solenoid differential			AX1E252XAC

\* For coil voltage: see code key at page 5.82.1



Version	Symbol	Code	Item
5/3 closed centres			AX1E270XAC
5/3 open centres			AX1E271XAC
5/3 pressurised centres			AX1E272XAC

Version	Symbol	Code	Item
5/3 closed centres, external air pilot			AX1K270XAC
5/3 open centres, external air pilot			AX1K271XAC
5/3 pressurised centres external air pilot			AX1K272XAC

\* For coil voltage: see code key at page 5.82.1

