

Art. 8P004300 - 8P004400

Valvola a sfera 2 vie [Valpres art. 730007 da DN40 a DN65 - art. 730003 da DN80 a DN200], flangiata PN16, in ghisa, con sfera e asta inox AISI 304 a passaggio totale, scartamento secondo norma EN558 basic series 14 (DN200 basic series 27) con attuatore pneumatico.

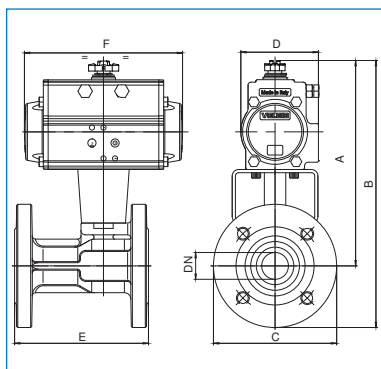
2 way flanged PN16 ball valve [Valpres art. 730007 from DN40 to DN65 - art. 730003 from DN80 to DN200], cast iron, with ball and stem in stainless steel AISI 304, full bore, face to face to EN558 basic series 14 (DN200 basic series 27) with pneumatic actuator.



Art. 8P004300

VALVOLA CON ATTUATORE DOPPIO EFFETTO
VALVE WITH DOUBLE ACTING ACTUATOR

DN	40	50	65	80	100	125	150	200
PN	16	16	16	16	16	16	16	16
A	227	252	280	291	343	400	435	499
B	302	335	373	391	453	525	578	669
C	150	165	185	200	220	250	285	340
D	81	95	106	106	123	137	148	164
E	140	150	170	180	190	200	210	400
F	164	210	241	241	275	333	372	435
ACT.	DA 63	DA 75	DA 85	DA 85	DA 100	DA 115	DA 125	DA 140
RI	3002	3009	3003	3003	3004	3005	3006	3039



Art. 8P004400

VALVOLA CON ATTUATORE SEMPLICE EFFETTO
VALVE WITH SPRING RETURN ACTUATOR

DN	40	50	65	80	100	125	150	200
PN	16	16	16	16	16	16	16	16
A	259	279	348	371	389	434	481	523
B	334	362	441	471	499	559	624	693
C	150	165	185	200	220	250	285	340
D	106	123	137	148	148	164	186	186
E	140	150	170	180	190	200	210	400
F	241	275	333	372	372	435	500	500
ACT.	SR 85	SR 100	SR 115	SR 125	SR 125	SR 140	SR 160	SR 160
RI	3009	3009	3010	3010	3005	3037	3039	3039

Art. 8P004500 - 8P004600

Valvola a sfera 2 vie [Valpres art. 730008 da DN25 a DN65 - art. 730000 da DN80 a DN100], flangiata PN16, in ghisa, con sfera in ottone cromato a passaggio totale, scartamento secondo norma EN558 basic series 14 (DN200 basic series 27) con attuatore pneumatico.

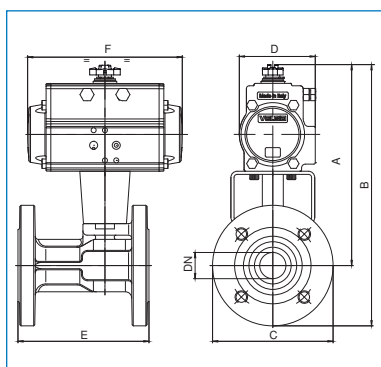
2 way flanged PN16 ball valve [Valpres art. 730008 from DN25 to DN65 - art. 730000 from DN80 to DN100], cast iron, with chrome plated ball, full bore, face to face to EN558 basic series 14 (DN200 basic series 27) with pneumatic actuator.



Art. 8P004500

VALVOLA CON ATTUATORE DOPPIO EFFETTO
VALVE WITH DOUBLE ACTING ACTUATOR

DN	25	32	40	50	65	80	100	125	150
PN	16	16	16	16	16	16	16	16	16
A	191	198	227	252	280	291	343	ART. 8P004300	ART. 8P004300
B	249	268	302	335	373	391	453		
C	115	140	150	165	185	200	220		
D	71	71	81	95	106	106	123		
E	125	130	140	150	170	180	190		
F	141	141	164	210	241	241	275		
ACT.	DA 52	DA 52	DA 63	DA 75	DA 85	DA 85	DA 100		
RI	3001	3001	3002	3009	3003	3003	3004		



Art. 8P004600

VALVOLA CON ATTUATORE SEMPLICE EFFETTO
VALVE WITH SPRING RETURN ACTUATOR

DN	25	32	40	50	65	80	100	125	150
PN	16	16	16	16	16	16	16	16	16
A	203	209	259	279	348	371	389	ART. 8P004400	ART. 8P004400
B	261	279	334	362	441	471	499		
C	115	140	150	165	185	200	220		
D	81	81	106	123	137	148	148		
E	125	130	140	150	170	180	190		
F	164	164	241	275	333	372	372		
ACT.	SR 63	SR 63	SR 85	SR 100	SR 115	SR 125	SR 125		
RI	3007	3007	3009	3009	3010	3010	3005		