

Art. 8P007900 - 8P008100

Valvola a sfera 2 vie in ottone cromato [RB art. 2500], filettata F/F, con attuatore pneumatico. **Non idonea per solventi.**

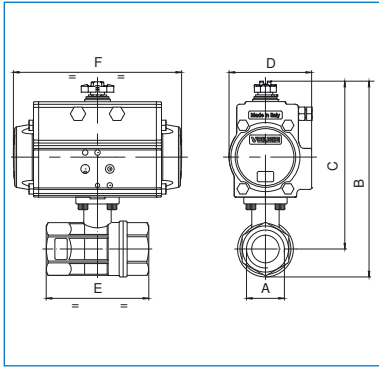
2 way brass with chrome plated ball, [RB art. 2500], threaded F/F, with pneumatic actuator. **Not suitable for use with solvents.**



Art. 8P007900

VALVOLA CON ATTUATORE DOPPIO EFFETTO
VALVE WITH DOUBLE ACTING ACTUATOR

PN	40	40	40	40	40	40	40	40	25	16	16
DN - A	1/4"	3/8"	1/2"	3/4"	1"	1" 1/4	1" 1/2	2"	2" 1/2	3"	4"
B	115	115	115	120	135	144	203	221	259	279	345
C	98	98	98	100	111	114	166	175	202	211	262
D	45	45	45	45	45	45	71	71	81	81	106
E	67	67	67	76	90	102	114	138	165	188	225
F	110	110	110	110	110	110	141	141	164	164	241
ACT.	DA 32	DA 32	DA 32	DA 32	DA 32	DA 32	DA 52	DA 52	DA 63	DA 63	DA 85
RI	4015	4015	4015	4015	4015	4015	4016	4016	4021	4021	4021



Art. 8P008100

VALVOLA CON ATTUATORE SEMPLICE EFFETTO
VALVE WITH SPRING RETURN ACTUATOR

PN	40	40	40	40	40	40	40	40	25	16	16
DN - A	1/4"	3/8"	1/2"	3/4"	1"	1" 1/4	1" 1/2	2"	2" 1/2	3"	4"
B	151	151	151	156	172	180	214	232	291	311	358
C	134	134	134	136	147	151	177	186	234	243	275
D	71	71	71	71	71	71	81	81	106	106	123
E	67	67	67	76	90	102	114	138	165	188	225
F	141	141	141	141	141	141	164	164	241	241	275
ACT.	SR 52	SR 52	SR 52	SR 52	SR 52	SR 52	SR 63	SR 63	SR 85	SR 85	SR 100
RI	4017	4017	4017	4017	4017	4017	4018	4018	4020	4020	4029

Art. 8P015900 - 8P016000

Valvola a sfera 2 vie in ottone cromato [RB art. 2530], filettata F/F, asta e sfera in INOX certificata ATEX Ex II 2 G/D c T4, con attuatore pneumatico. **Idonea per impieghi con solventi.**

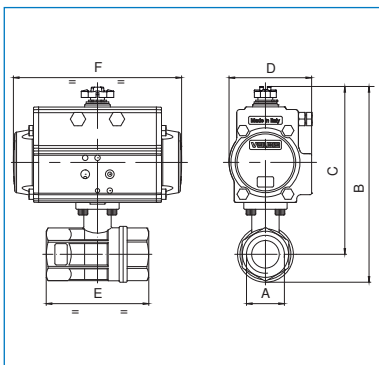
2 way brass with chrome plated ball [RB art. 2530], threaded F/F, stainless steel stem and ball certified ATEX Ex II 2 G/D c T4, with pneumatic actuator. **Suitable for use with solvents.**



Art. 8P015900

VALVOLA CON ATTUATORE DOPPIO EFFETTO
VALVE WITH DOUBLE ACTING ACTUATOR

PN	40	40	40	40	40	40	40	40
DN - A	1/4"	3/8"	1/2"	3/4"	1"	1" 1/4	1" 1/2	2"
B	115	115	115	120	135	144	203	221
C	98	98	98	100	111	114	166	175
D	45	45	45	45	45	45	71	71
E	67	67	67	76	90	102	114	138
F	110	110	110	110	110	110	141	141
ACT.	DA 32	DA 32	DA 32	DA 32	DA 32	DA 32	DA 52	DA 52
RI	4015	4015	4015	4015	4015	4015	4016	4016



Art. 8P016000

VALVOLA CON ATTUATORE SEMPLICE EFFETTO
VALVE WITH SPRING RETURN ACTUATOR

PN	40	40	40	40	40	40	40	40
DN - A	1/4"	3/8"	1/2"	3/4"	1"	1" 1/4	1" 1/2	2"
B	151	151	151	156	172	180	214	232
C	134	134	134	136	147	151	177	186
D	71	71	71	71	71	71	81	81
E	67	67	67	76	90	102	114	138
F	141	141	141	141	141	141	164	164
ACT.	SR 52	SR 52	SR 52	SR 52	SR 52	SR 52	SR 63	SR 63
RI	4017	4017	4017	4017	4017	4017	4018	4018