


## Art. 8P011700 - 8P011800

 Valvola a sfera "SPLIT BODY" [Valpres art. 760000], flangiata PN16, in acciaio inox AISI 316-CF8M, passaggio totale, fire safe, dispositivo antistatico, scartamento secondo norma EN 558 basic series 27, classificata ATEX Ex II 2 G/D c T3 con attuatore pneumatico classificato ATEX Ex II 2 G/D c T6.

 "SPLIT BODY" [Valpres art. 760000], full bore, flanged PN16 ball valve, stainless steel AISI 316-CF8M, fire safe, antistatic device, face to face EN 558 basic series 27, classified ATEX Ex II 2 G/D c T3, with pneumatic actuator classified ATEX Ex II 2 G/D c T6.

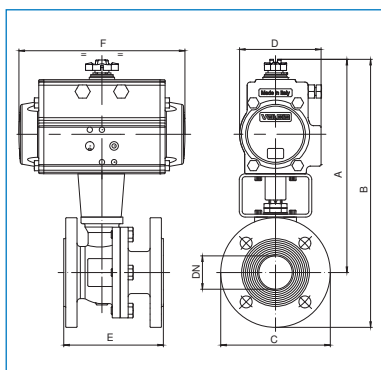


### Art. 8P011700

VALVOLA CON ATTUATORE DOPPIO EFFETTO  
VALVE WITH DOUBLE ACTING ACTUATOR

DN	15	20	25	32	40	50	65	80	100	125	150	200	250*	300*
PN	40	40	40	40	40	40	16	16	16	16	16	16	16	16
A	148	189	207	210	250	275	299	333	360	382	462	527	747	778
B	195	242	265	280	325	357	392	433	470	507	604	697	950	1008
C	95	105	115	140	150	165	185	200	220	250	285	340	405	460
D	45	71	71	71	81	95	106	106	123	123	148	164	249	249
E	115	120	125	130	140	150	170	180	190	325	350	400	450	500
F	110	141	141	141	164	210	241	241	275	275	372	435	690	690
ACT.	DA 32	DA 52	DA 52	DA 52	DA 63	DA 75	DA 85	DA 85	DA 100	DA 100	DA 125	DA 140	DA 230	DA 230
RI	3518	3519	3520	3520	3521	3522	3522	3523	3552	3552	3553	3554	4577	4577

\* TRUNION  $\Delta p=10$  bar



### Art. 8P011800


VALVOLA CON ATTUATORE SEMPLICE EFFETTO  
VALVE WITH SPRING RETURN ACTUATOR

DN	15	20	25	32	40	50	65	80	100	125	150	200	250*	300*
PN	40	40	40	40	40	40	16	16	16	16	16	16	16	16
A	184	200	219	222	282	302	346	393	407	452	508	552	947	978
B	232	253	277	292	357	385	439	493	517	577	651	722	1150	1208
C	95	105	115	140	150	165	185	200	220	250	285	340	405	460
D	71	81	81	81	106	123	137	148	148	164	186	186	402	402
E	115	120	125	130	140	150	170	180	190	325	350	400	450	500
F	141	164	164	164	241	275	333	372	372	435	500	500	881	881
ACT.	SR 52	SR 63	SR 63	SR 63	SR 85	SR 100	SR 115	SR 125	SR 125	SR 140	SR 160	SR 160	SR 330	SR 330
RI	3519	3829	3525	3525	3526	3522	3527	3528	3528	3997	3554	3554	4578	4578

\* TRUNION  $\Delta p=10$  bar

## Art. 8P024500 - 8P024700

 Valvola a sfera "SPLIT BODY" [Valpres art. 760040], flangiata PN40, in acciaio inox AISI 316-CF8M, passaggio totale, fire safe, dispositivo antistatico, scartamento secondo norma EN558 basic series 27, classificata ATEX Ex II 2 G/D c T3 con attuatore pneumatico classificato ATEX Ex II 2 G/D c T6.

 "SPLIT BODY" type flanged PN40 ball valve [Valpres art. 760040], stainless steel AISI 316-CF8M, full bore, fire safe, antistatic device, face to face to EN558 basic series 27, classified ATEX Ex II 2 G/D c T3, with pneumatic actuator classified ATEX Ex II 2 G/D c T6.

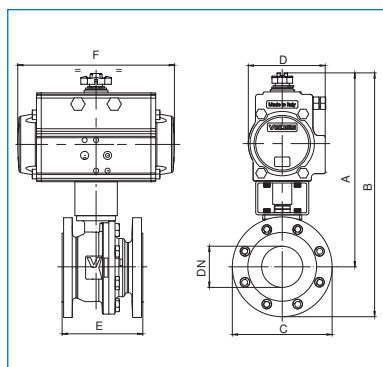


### Art. 8P024500

VALVOLA CON ATTUATORE DOPPIO EFFETTO  
VALVE WITH DOUBLE ACTING ACTUATOR

DN	15	20	25	32	40	50	65	80	100	150	200*
PN	40	40	40	40	40	40	40	40	40	40	40
A	Art. 8P011700	Art. 8P011700	Art. 8P011700	Art. 8P011700	Art. 8P011700	Art. 8P011700	312	346	395	508	610
B							405	446	513	658	798
C							185	200	235	300	375
D							123	123	137	186	217
E							170	180	190	350	400
F							275	275	333	500	579
ACT.							DA 100	DA 100	DA 115	DA 160	DA 200
RI	3522	3552	3528	3554	3555						

\* TRUNION  $\Delta p=25$  bar



### Art. 8P024700

VALVOLA CON ATTUATORE SEMPLICE EFFETTO  
VALVE WITH SPRING RETURN ACTUATOR

DN	15	20	25	32	40	50	65	80	100	150	200*
PN	40	40	40	40	40	40	40	40	40	40	40
A	Art. 8P011800	Art. 8P011800	Art. 8P011800	Art. 8P011800	Art. 8P011800	Art. 8P011800	358	393	453	726	771
B							451	493	571	876	959
C							185	200	235	300	375
D							148	148	186	290	290
E							170	180	190	350	400
F							372	372	500	672	672
ACT.							SR 125	SR 125	SR 160	SR 270	SR 270
RI	3527	3528	3997	3753	3753						

\* TRUNION  $\Delta p=25$  bar