

Art. 8P026300 - 8P026400

Valvola a sfera 2 vie lucida, acciaio inox AISI 316, con guarnizioni P.T.F.E vergine, filettata F/F, con attuatore pneumatico.

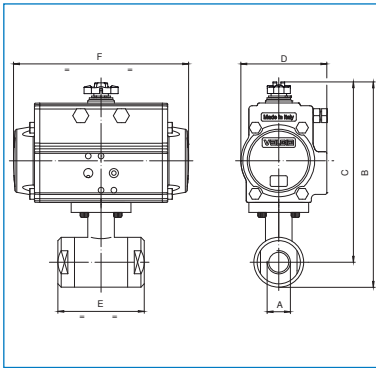
2 way stainless steel valve AISI 316, polished, seals in P.T.F.E, threaded F/F, with pneumatic actuator.



Art. 8P026300

VALVOLA CON ATTUATORE DOPPIO EFFETTO
VALVE WITH DOUBLE ACTING ACTUATOR

| PN | 64 | 64 | 64 | 64 | 40 | 40 | 40 | 25 | 25 | 25 | 25 |
|--------|-------|-------|-------|-------|-------|-------|-------|-------|-------|-------|-------|
| DN - A | 1/4" | 3/8" | 1/2" | 3/4" | 1" | 1"1/4 | 1"1/2 | 2" | 2"1/2 | 3" | 4" |
| B | 156 | 156 | 161 | 168 | 191 | 200 | 227 | 243 | 296 | 318 | 348 |
| C | 141 | 141 | 143 | 147 | 165 | 170 | 190 | 198 | 240 | 252 | 266 |
| D | 71 | 71 | 71 | 71 | 81 | 81 | 81 | 81 | 106 | 106 | 106 |
| E | 52 | 52 | 62 | 72 | 82 | 92 | 104 | 116 | 128 | 150 | 178 |
| F | 141 | 141 | 141 | 141 | 164 | 164 | 164 | 164 | 241 | 241 | 241 |
| ACT. | DA 52 | DA 52 | DA 52 | DA 52 | DA 63 | DA 63 | DA 63 | DA 63 | DA 85 | DA 85 | DA 85 |



Art. 8P026400

VALVOLA CON ATTUATORE SEMPLICE EFFETTO
VALVE WITH SPRING RETURN ACTUATOR

| PN | 64 | 64 | 64 | 64 | 40 | 40 | 40 | 25 | 25 | 25 | 25 |
|--------|-------|-------|-------|-------|-------|-------|-------|-------|--------|--------|--------|
| DN - A | 1/4" | 3/8" | 1/2" | 3/4" | 1" | 1"1/4 | 1"1/2 | 2" | 2"1/2 | 3" | 4" |
| B | 156 | 156 | 161 | 168 | 223 | 232 | 259 | 275 | 309 | 377 | 407 |
| C | 141 | 141 | 143 | 147 | 197 | 202 | 222 | 230 | 253 | 311 | 325 |
| D | 71 | 71 | 71 | 71 | 106 | 106 | 106 | 106 | 123 | 148 | 148 |
| E | 52 | 52 | 62 | 72 | 82 | 92 | 104 | 116 | 128 | 150 | 178 |
| F | 141 | 141 | 141 | 141 | 241 | 241 | 241 | 241 | 275 | 372 | 372 |
| ACT. | SR 52 | SR 52 | SR 52 | SR 52 | SR 85 | SR 85 | SR 85 | SR 85 | SR 100 | SR 125 | SR 125 |