

TECHNICAL SPECIFICATIONS

Media: water, oil, air, aggressive media, steam[Ⓢ]

Media temperature: -10°C ÷ +200°C

Ambient temperature: -10°C ÷ +60°C

Pilot media[Ⓢ]: instrument air, inert gases

Body material: cast AISI 316L (CF3M), see Piston Actuated Valves Catalogue

Bonnet material: cast AISI 316L (CF3M), see Piston Actuated Valves Catalogue

Actuator body material: Polyamide PA6 (reinforced fiberglass 30%)

Seal material: PTFE

Position indicator as standard

BENEFITS

Waterhammer-free design for **BPG** - **DPG** (with flow direction 2 → 1)

Actuator housing rotation 360°

OPTIONS

Stroke regulator assembled ex-factory, see TIS *1801* (e.g. code RPG210STJRH)

Travel switch assembled ex-factory, see TIS *1801* (e.g. code PG208STZIH)

NPT connection (e.g. code BPN207LTY0H)

Butt weld connection see TIS *6021* (e.g. code BPW209LTK0H)

Flanged connection see TIS *6022* (e.g. code PD205STW0H)

ACCESSORIES

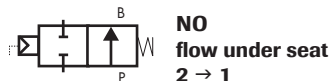
Position module see TIS *1806*, **travel switch kit** see TIS *1802*, **pilot solenoid valves** see TIS *0714*



TYPE: PG



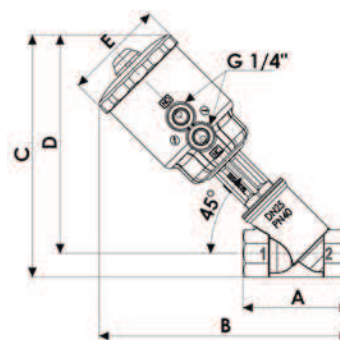
TYPE: RPG



TYPE: BPG



DIMENSIONS & WEIGHTS		DN15	DN20	DN25	DN32	DN40	DN50
actuator	[mm]	Ø 63			Ø 90		
A	[mm]	65	75	90	110	120	150
B	[mm]	192	198	212	234	239	257
C	[mm]	184	192	205	227	235	250
D	[mm]	171	176	185	202	207	216
E	[mm]	85	85	85	112	112	112
weight	[kg]	1.2	1.3	1.5	2.4	2.6	3.3



The products listed below comply with the requirements of the European Pressure Equipment Directive 97/23/EC and carry the CE mark when required. The products fall within the following Pressure Equipment Directive categories:

VALVE TYPE	Bodies	Group 1 gases	Group 1 liquids and Group 2 other fluids
PG - RPG - BPG	DN15 ÷ DN25 (PN40)	SEP	SEP
	DN32 ÷ DN40 (PN25)	Category I	SEP
	DN50 (PN16)	Category I	SEP

WARNING !

According to the European Pressure Equipment Directive 97/23/EC, liquids whose saturated vapour pressure at the maximum allowable temperature is more than 0,5 barg shall be considered as gases.

2/2 WAY PISTON ACTUATED VALVE G 1/2" ÷ 2", HIGH TEMPERATURE VERSION - STAINLESS STEEL

VALVE	body connection	DN	flow rate Kvs	working pressure ①		flow direction	pilot pressure ②		actuator Ø	function
				min.	max.		min.	max.		
code	[ISO 228G]	[mm]	[l/min]	[barg]	[barg]	–	[barg]	[barg]	[mm]	–
PG205STW0H	1/2"	15	87	0	20	1 → 2	3.7	10	63	NC
PG206STX0H	3/4"	20	164	0	20	1 → 2	4.4	10		
PG207STY0H	1"	25	260	0	20	1 → 2	5	10		
PG208LTZ0H	1 1/4"	32	410	0	16	1 → 2	3.5	8	90	
PG209LTK0H	1 1/2"	40	700	0	16	1 → 2	4	8		
PG210LTJ0H	2"	50	950	0	15	1 → 2	6.5	8		

RPG205STW0H	1/2"	15	87	0	16	2 → 1	2.5	10	63	NO
RPG206STX0H	3/4"	20	164	0	16	2 → 1	4.3	10		
RPG207STY0H	1"	25	260	0	16	2 → 1	5.5	10		
RPG208LTZ0H	1 1/4"	32	410	0	16	2 → 1	4	8	90	
RPG209LTK0H	1 1/2"	40	700	0	16	2 → 1	5	8		
RPG210LTJ0H	2"	50	950	0	16	2 → 1	7	8		

BPG205STW0H	1/2"	15	87	0	16	1 → 2 / 2 → 1	5.5 / 3.8	10	63	NC bidirectional
BPG206STX0H	3/4"	20	164	0	16	1 → 2 / 2 → 1	6 / 3.8	10		
BPG207STY0H	1"	25	260	0	16 / 11	1 → 2 / 2 → 1	6.5 / 3.8	10		
BPG208LTZ0H	1 1/4"	32	410	0	16 / 12	1 → 2 / 2 → 1	5 / 3.3	8	90	
BPG209LTK0H	1 1/2"	40	700	0	16 / 8	1 → 2 / 2 → 1	6 / 3.3	8		
BPG210LTJ0H	2"	50	950	0	14 / 6	1 → 2 / 2 → 1	8 / 3.3	8		

NOTES

- ① Steam max. working pressure 14,5 barg
- ② Please contact M&M sales Department for other pilot media
- ③ Minimum pilot pressure at the max. working pressure: for lower working pressures please refer to the COMPARATIVE CHARTS