

FDA Approved Materials
& Components

Fast, Simple to Use
Online Configurator

Rapid Deliveries

BISSC
Certified Conveyors



*Aqua***Gard**[®]

7200, 7300 & 7350 SERIES CONVEYORS

Stainless Steel Conveyors for Dry, Wipe Down
and Wet Applications

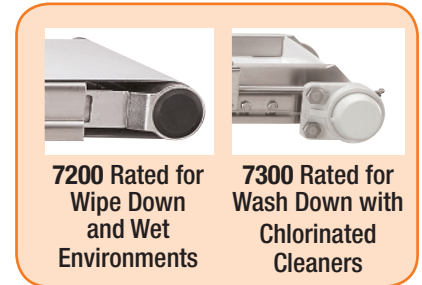
DORNER[®] 

Dorner AquaGard Conveyors are Best for:

- Baking
- Packaged Foods
- Pet Foods
- Secondary Packaging
- Snack Foods
- Tight Transfers
- Confectionary
- Elevation Changes
- And More!

7200 & 7300 Series Specifications

- Belted and Cleated Belt Models
- Loads up to 27 kg (60 lbs)
- Widths: 44 mm (1.75 in) to 457 mm (18 in)
- Lengths: 610 mm (2 ft) to 8486 mm (18 ft)
- 11 gauge Stainless Steel roll formed frame
- 7300 features a high pressure bearing option
- Available in straights only

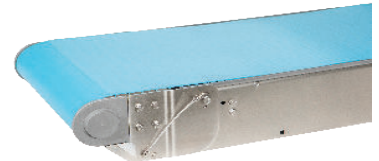


7200 Rated for Wipe Down and Wet Environments

7300 Rated for Wash Down with Chlorinated Cleaners

7350 Series Specifications

- Belted, Cleated Belt, Modular Belt, Modular Cleated Belt Models and Positive Drive Options
- Loads up to 341 kg (750 lbs)
- Widths: 152 mm (6 in) to 914 mm (36 in)
- Lengths: 914 mm (3 ft) to 2500mm (82 ft)
- FDA approved belting and plastic components
- 304 Stainless Steel frame
- Available in straights, curves or Z-Frame configurations



Positive Drive



Straights



Curves (Modular Belt Only)



LPZ (Z-Frames), Nose Over & Horizontal to Incline

Options



Nose Bar Transfers



Powered Transfers

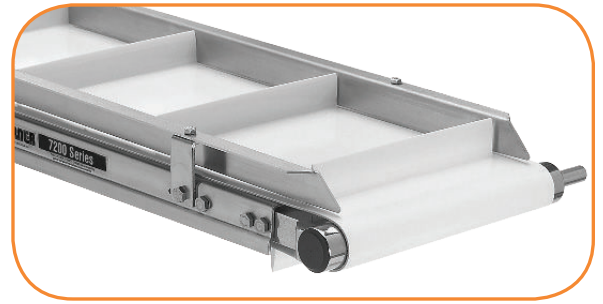


Variety of Guiding Options

Other options available including Roller Transfers, Chutes, Drip Pans, Formed Angle Stands, Hoppers and more.

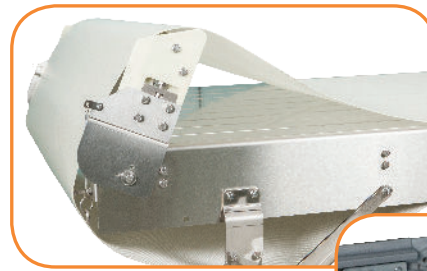
Sleek, Low Profile Design - 7200 & 7300 Series

- Quick, five-minute belt change for increased uptime
- Rack and pinion for fast, single point belt tensioning
- V-Groove frame with V-Guided belt ensures accurate tracking
- Streamlined design fits where other conveyors do not
- Low profile, single piece frame for quick, easy cleaning
- Quick-clamp rail for easy mounting of bolt-on accessories



Rugged and Durable Design - 7350 Series

- 304 Stainless Steel frame features open design with minimal horizontal surfaces
- Designed for wipe down and low pressure wash-down with non-caustic chemicals
- V-guided belt tracking on belted models
- Tip-up tails for access inside the conveyor for cleaning and maintenance
- Safest chain in the industry with chain openings less than 4 mm even on curves
- Unique chain design virtually eliminates friction providing capacity for up to 4 curves on a single conveyor



Tip-Up Tails



Innovative Chain Design



Positive Drive Belt

Engineered Solutions

- Dorner's Engineered Solutions Group can tailor fit AquaGard Conveyors for specific applications and product handling requirements
- With a custom-designed conveyor system in place and the help of highly specialized engineering, your products are processed faster, your services are delivered quicker, and your profits are increased
- Solutions include: chicaning, retracting tails, depositing and rejects, merging, product flow, and more!



The Benefits of Dorner AquaGard Conveyors

Industry Ready

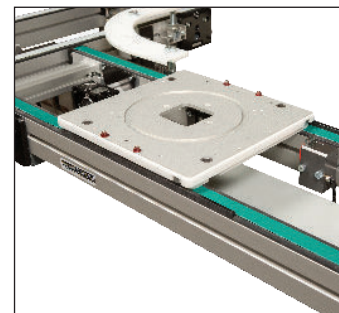
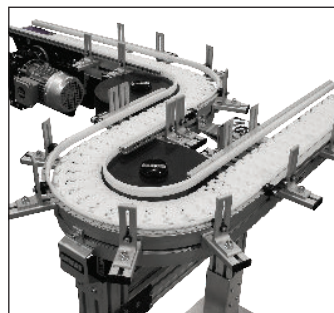
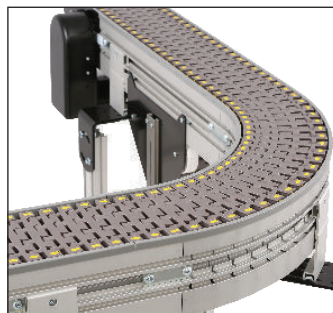
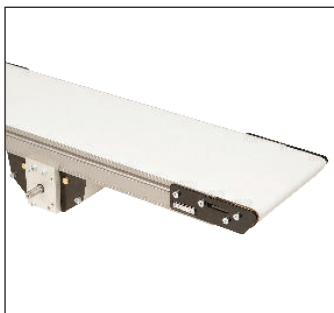
- Designed and manufactured to food equipment standards
- BISSC certified conveyors
- FDA approved materials and components
- Washdown rated gearmotors and controls

A Focus on Speed

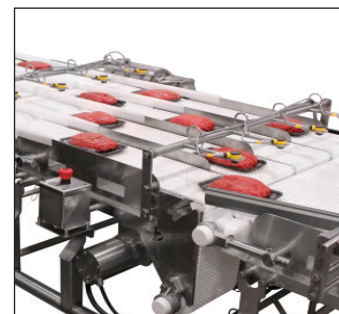
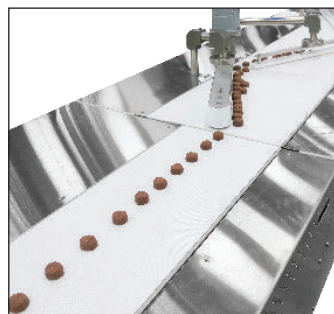
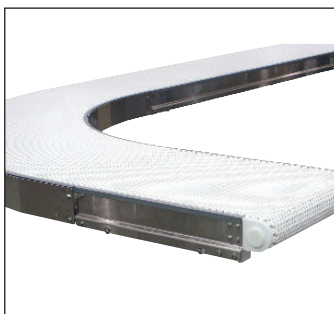
- Dorner sets the industry standard for rapid delivery
- Sanitary conveyors ship in as little as 10 business days
- Fast and effective design reduces cleaning preparation time

Industrial & Automation Conveyors

AVS



Sanitary Conveyors



Engineered Solutions



Parts

Service

Online Configurator

Warranty

Transforming Conveyor Automation

Dorner – North & South America

Dorner – U.S.A. Headquarters
975 Cottonwood Ave
Hartland, WI 53029, USA
(800) 397-8664
(262) 367-7600
info@dorner.com

Dorner – Canada
100-5515 North Service Road
Burlington, Ontario L7L 6G6
Canada
(289) 208-7306
info@dorner.com

Dorner – Latin America
Carretera a Nogales #5297,
Nave 11. Parque Industrial Nogales
Zapopan, Jalisco C.P. 45222
Mexico
+52.33.30037400
info.latinamerica@dorner.com



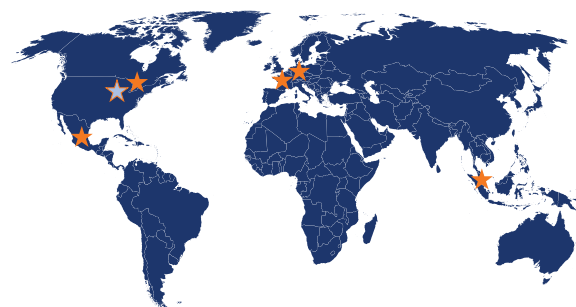
Dorner – Europe

Dorner – Germany
Karl-Heinz-Beckurts-Straße 7
52428 Jülich,
Germany
+49 (0) 2461/93767-0
info.europe@dorner.com

Dorner – France
8-10 Rue de Nieuport
78140 Vélizy-Villacoublay,
France
+33 (0)1 84 73 24 27
info.france@dorner.com

Dorner – Asia

128 Jalan Permatang Damar Laut, Bayan Lepas 11960
Penang, Malaysia
+604-626-2948 | info.asia@dorner.com



www.dornerconveyors.com

© Dorner Mfg. Corp. 2019. All Rights Reserved. 851-848 Rev B EGI-1M-0919