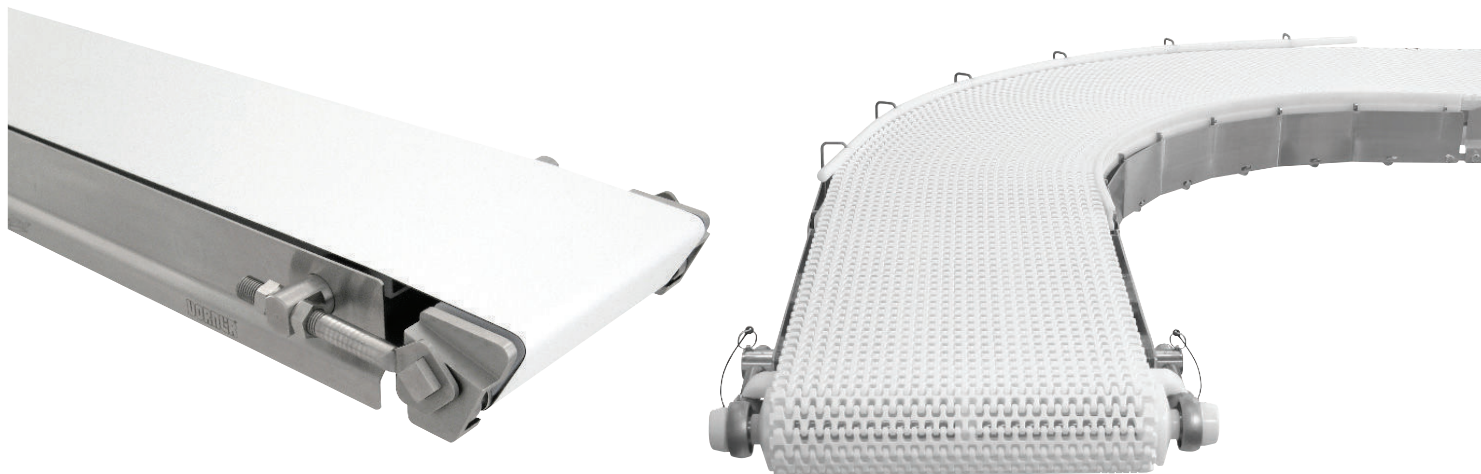


Industry Leading
Hygienic Designs

Fast, Simple to Use
Online Configurator

Rapid Deliveries

USDA
Certified Conveyors



*Aqua***Pruf**[®]

7400 & 7600 SERIES CONVEYORS

Improving Food Safety with
Hygienically Engineered Stainless Steel Conveyors

DORNER[®] 

Dorner AquaPruf Conveyors are Best for:

- Processed Foods
- Dairy
- Nutraceuticals
- Raw Meats & Poultry
- Fruits & Vegetables
- Pet Foods
- Pharmaceutical
- Ready-to-Eat Foods
- And More!

Sizes & Measurements

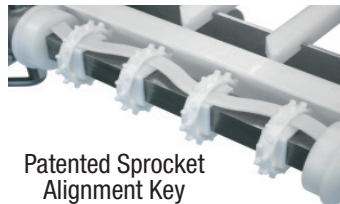
- 152 - 1524 mm (6 - 60 in) widths
- 914 - 25375 mm (36 - 999 in) lengths

Loads & Speeds

- 98 kg per square meter (20 lbs per square foot)
- 100 mpm (328 fpm)

7400 Modular Belt Options

- Flat Modular Belt
- Friction Top
- Cleated
- Curve



Patented Sprocket Alignment Key

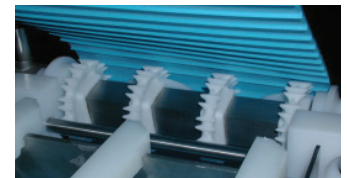


Flat Modular Belt

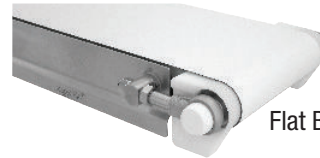
7600 Belt Options

V-Guided and Positive Drive Belt Options

- Flat Belt
- Cleated
- Sidewall Cleated

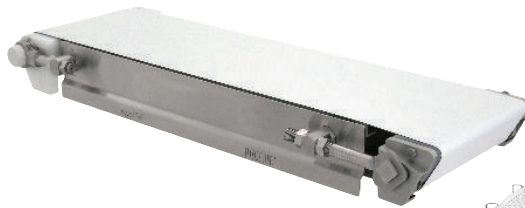


Positive Drive

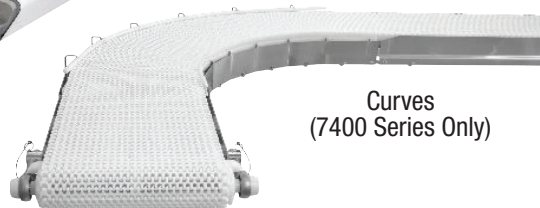


Flat Belt

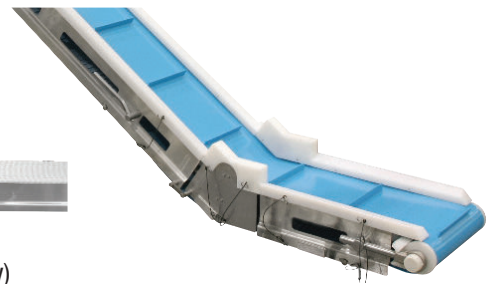
Configurations



Straights

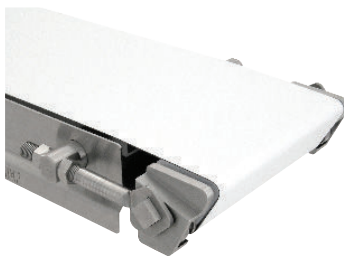


Curves
(7400 Series Only)

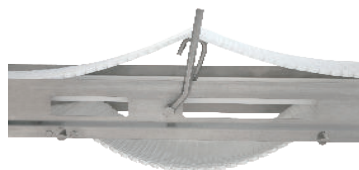


LPZ (Z-Frames), Nose-Overs & Horizontal to Inclines

Options



Nose Bar Transfers



Belt Lifters & Frame Cut-Outs



Belt Scrapers

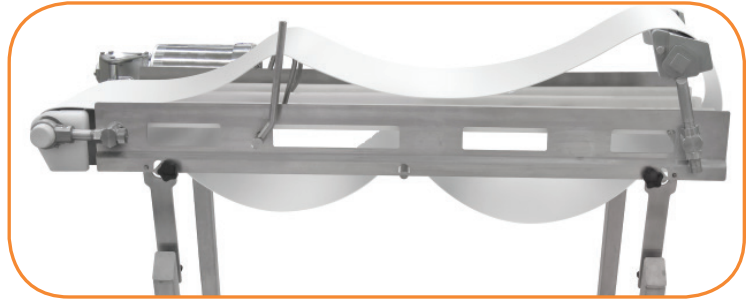


Clean-in-Place

Other options available including Chutes, Drip Pans, Guiding, Hoppers and more.

Hygienic Design

- Tool-Less Disassembly. Cleaning prep in under a minute, complete disassembly in less than 3 minutes
- Optional Frame Cut-outs and Belt Lifters for continuous access to inside of the conveyor
- Tip-up Tails allow for quick release of belt tension
- Quick release stands for fast belt removal
- Continuous TIG all welded 304 Stainless Steel frame



AquaPruf Ultimate

- Highest level of sanitation
- USDA red meat and poultry certified conveyors
- USDA approved belting and plastic components
- Meets USDA, NSF and AMI design specifications
- Tool-less pull pin removal of tail assemblies
- #4 polish on all internal frame members
- Solid cross members
- TIG welded stand-offs keep fasteners out of the food zone

AquaPruf[®]
ULTIMATE



Engineered Solutions

- Dorner's Engineered Solutions Group can tailor fit AquaPruf Conveyors for specific applications and product handling requirements.
- With a custom-designed conveyor system in place, your products are processed faster, your services are delivered quicker, and your profits are increased with the help of highly specialized engineering.
- Solutions include:
 - Routing/Diverting/Laning/Merging
 - Singulating/Rotating
 - Accumulation/Buffering
 - Pacing/Gapping
 - Traffic Control/Flow
 - Orientating/Positioning
 - And More!



The Benefits of Dorner AquaPruf Conveyors

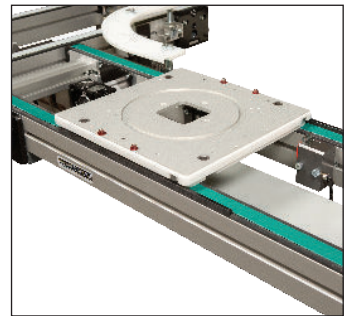
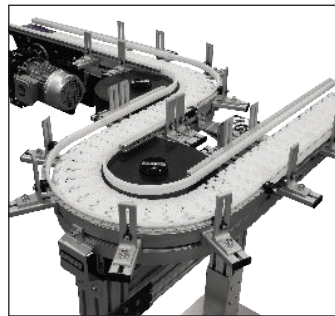
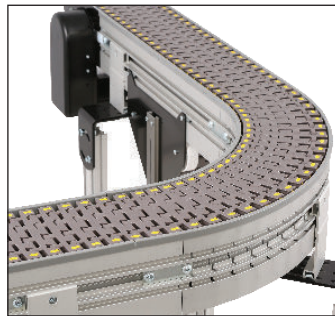
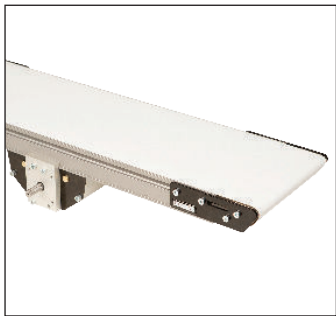
Industry Ready

- Designed and manufactured to food equipment standards
- BISSC & USDA certified conveyors
- FDA approved materials and components

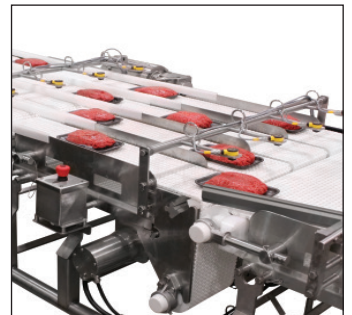
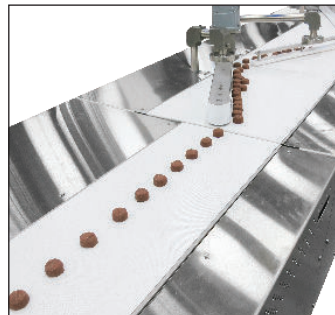
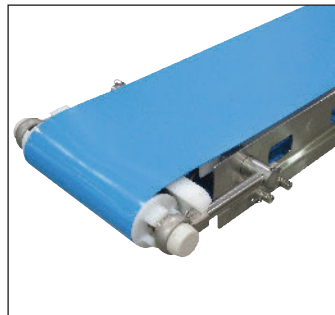
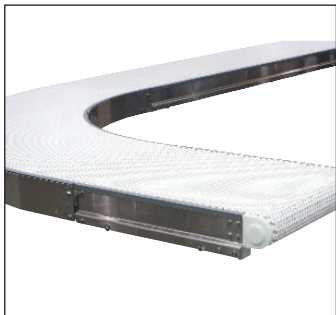
Delivers Fast

- Dorner sets the industry standard for rapid delivery
- Sanitary conveyors ship in as little as 10 business days
- Industry leading cleaning preparation time

Industrial & Automation Conveyors



Sanitary Conveyors



Engineered Solutions



Parts

Service

Online Configurator

Warranty

Transforming Conveyor Automation

Dorner – North & South America

Dorner – U.S.A. Headquarters
 975 Cottonwood Ave
 Hartland, WI 53029, USA
 (800) 397-8664
 (262) 367-7600
 info@dorner.com

Dorner – Canada
 100-5515 North Service Road
 Burlington, Ontario L7L 6G6
 Canada
 (289) 208-7306
 info@dorner.com

Dorner – Latin America
 Carretera a Nogales #5297,
 Nave 11. Parque Industrial Nogales
 Zapopan, Jalisco C.P. 45222
 Mexico
 +52.33.30037400
 info.latinamerica@dorner.com



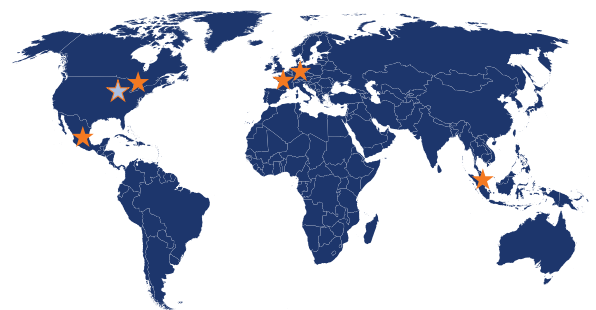
Dorner – Europe

Dorner – Germany
 Karl-Heinz-Beckurts-Straße 7
 52428 Jülich,
 Germany
 +49 (0) 2461/93767-0
 info.europe@dorner.com

Dorner – France
 8-10 Rue de Nieuport
 78140 Vélizy-Villacoublay,
 France
 +33 (0)1 84 73 24 27
 info.france@dorner.com

Dorner – Asia

128 Jalan Permatang Damar Laut, Bayan Lepas 11960
 Penang, Malaysia
 +604-626-2948 | info.asia@dorner.com



www.dornerconveyors.com

© Dorner Mfg. Corp. 2019. All Rights Reserved. 851-838 Rev A EGI-1M-0919