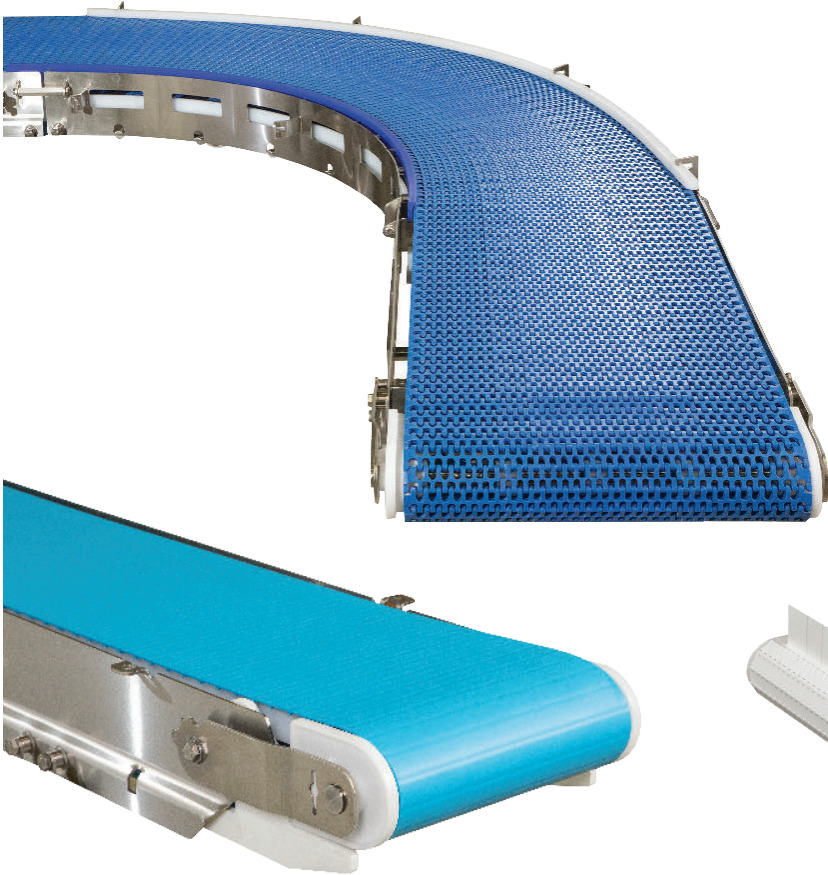


Industry Leading
Hygienic Designs

Fast, Simple to Use
Online Configurator

Rapid Deliveries

3A
Certified Conveyors



*Aqua***Pruf**[®]

CONVEYORS

Improving Food Safety with
Hygienically Engineered Stainless Steel Conveyors



Dorner AquaGard Conveyors are Best for:

- Ready to Eat Foods
- Meat
- Poultry
- Dairy
- Packaged Foods
- Elevation Changes
- Wet Environments
- High Pressure Washdowns
- And More!

Sizes & Measurements

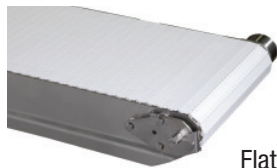
- 152 - 1524 mm (6 - 60 in) widths
- 914 - 25375 mm (36 - 999 in) lengths

Modular Belt Options

- Flat Modular Belt
- Friction Top
- Cleated
- Curve



Patented Sprocket Alignment Key



Flat Modular Belt

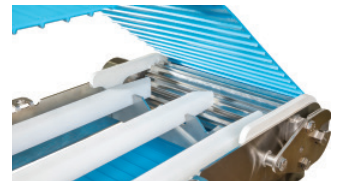
Loads & Speeds

- 98 kg per square meter (20 lbs per square foot)
- Speeds up to 100 mpm (328 fpm)

Belt Options

V-Guided and Positive Drive Belt Options

- Flat Belt
- Cleated
- Sidewall Cleated



Positive Drive

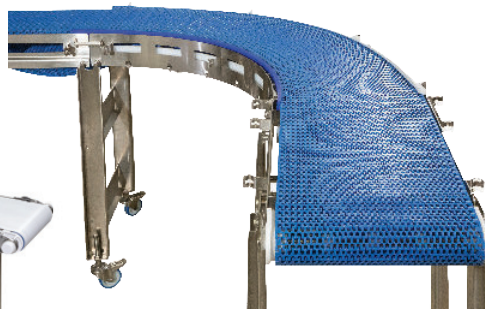


Flat Belt

Configurations



Straights

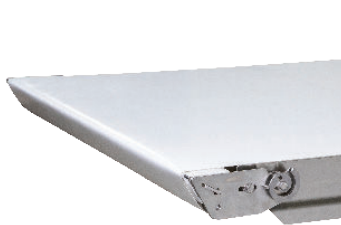


Curves

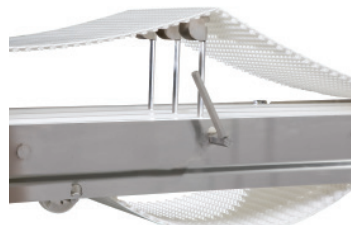


LPZ (Z-Frames), Nose-Overs & Horizontal to Inclines

Options



Nose Bar Transfers



Belt Lifters & Frame Cut-Outs



Belt Scrapers

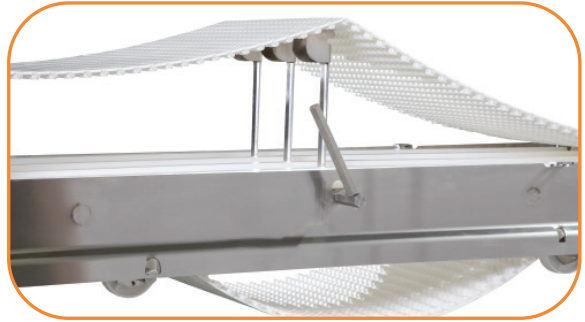


iDrive2 Gearless, Oil-free Motorized Roller

Other options available including Chutes, Drip Pans, Guiding, Hoppers and more.

Hygienic Design

- Tool-less disassembly. Cleaning prep in under a minute, complete disassembly in less than 3 minutes
- Optional frame cut-outs and belt lifters for continuous access to inside of the conveyor
- Tip-up tails allow for quick release of belt tension
- Continuous TIG-welded 304 stainless steel frame
- Spiral cam belt tensioning with patent pending threadless design
- Patented sprocket alignment key
- Gearless, oil-free iDrive2 sanitary motorized roller

**AquaPruf Ultimate**

- Highest level of sanitation
- USDA red meat, poultry and dairy applications
- 3A certification pending
- USDA and FDA approved belting and plastic components
- Meets 3A, NSF and AMI design specifications
- #4 polish on all internal surfaces
- Patent pending drive sprocket wash-out channel
- Patent pending idler puck cleaning system

AquaPruf[®]
ULTIMATE

**Engineered Solutions**

- Dorner's Engineered Solutions Group can tailor fit AquaPruf Conveyors for specific applications and product handling requirements.
- With a custom-designed conveyor system in place, your products are processed faster, your services are delivered quicker, and your profits are increased with the help of highly specialized engineering.
- Solutions include:
 - Routing/Diverting/Laning/Merging
 - Singulating/Rotating
 - Accumulation/Buffering
 - Pacing/Gapping
 - Traffic Control/Flow
 - Orientating/Positioning
 - And More!

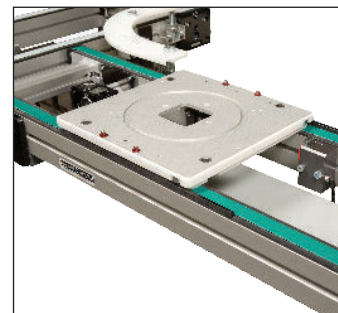
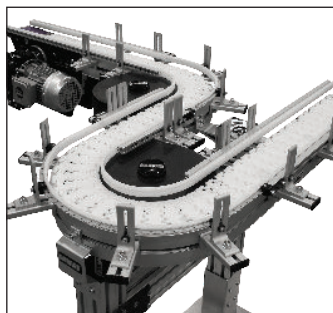
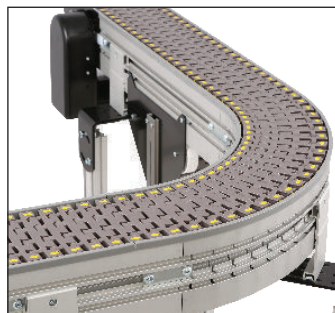
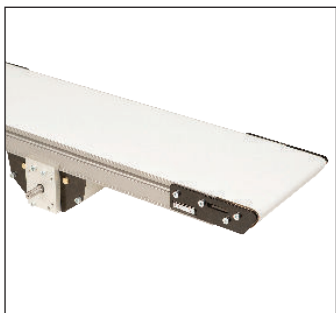
**The Benefits of Dorner AquaPruf Conveyors****Industry Ready**

- Designed and manufactured to food equipment standards
- 3A certification pending
- FDA approved materials and components

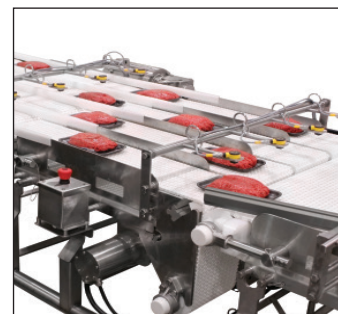
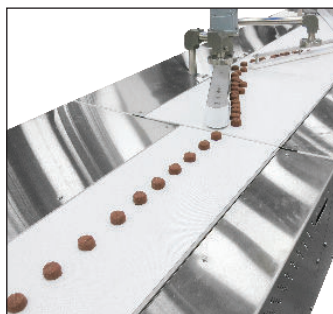
Delivers Fast

- Dorner sets the industry standard for rapid delivery
- Sanitary conveyors ship in as little as 10 business days
- Industry leading cleaning preparation time

Industrial & Automation Conveyors



Sanitary Conveyors



Parts



Service



Online Configurator



Warranty

Transforming Conveyor Automation



AVS Danmark ApS
Skelvej 18
2640 Hedehusene
+45 46 56 43 43
www.avsdanmark.dk