

Compact Incline/Decline
Applications

High Speed Performance
- Up to 52 mpm (171 fpm)

Accumulation
and Buffering

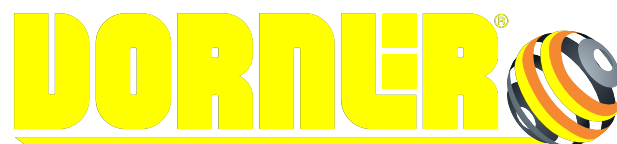
Ideal for Small
Package Handling



FlexMove[®]

HELIX CONVEYORS

Compact Spiral Flexible Chain Conveyors



FlexMove® Helix Conveyors are best for:

- Vertical Incline and Decline
- Small Product Handling
- Accumulation
- Buffering
- Cooling Between Processes
- And More!

Sizes & Measurements

- Widths: 85 mm, 180 mm, and 260 mm (3 in, 7 in and 10 in)
- Minimum infeed height: 600 mm (23.6 in)
- Maximum outfeed height: 3200 mm (126 in)

Chain Specifications

- Material: Acetal
- Patented design with low friction sealed ball bearings to reduce friction
- Types:
 - Flat top chain for product movement or accumulation up to 7°
 - TPE friction top chain for product incline up to 10°



Flat Top Chain & TPE Friction Top Chain

Tiers

- Maximum number of tiers: 4
- Maximum distance between tiers: 762 mm (30 in)
- Maximum angle: 10 degrees
- Diameter of spiral: 1400 mm (55.1 in) at centerline

Transfers

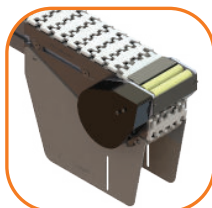
- Infeed/Exit Length: 915 mm (36 in) to 2000 mm (78.7 in)



Roller Transfer



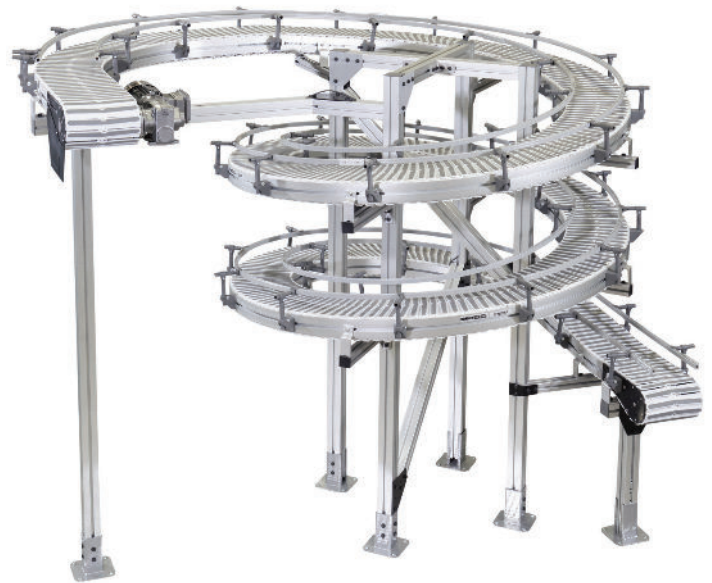
Powered Transfer



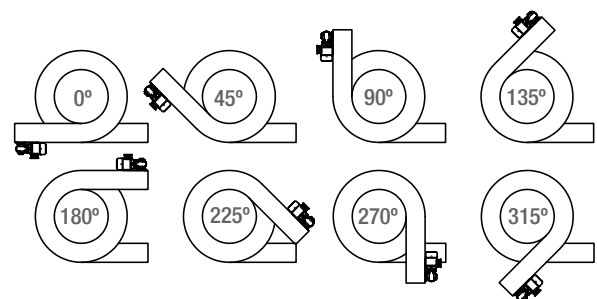
Driven Bridge Transfer

Loads & Speeds

- Loads: 136 kg (300 lbs)
- Speeds: Up to 52 mpm (171 fpm)



Angles



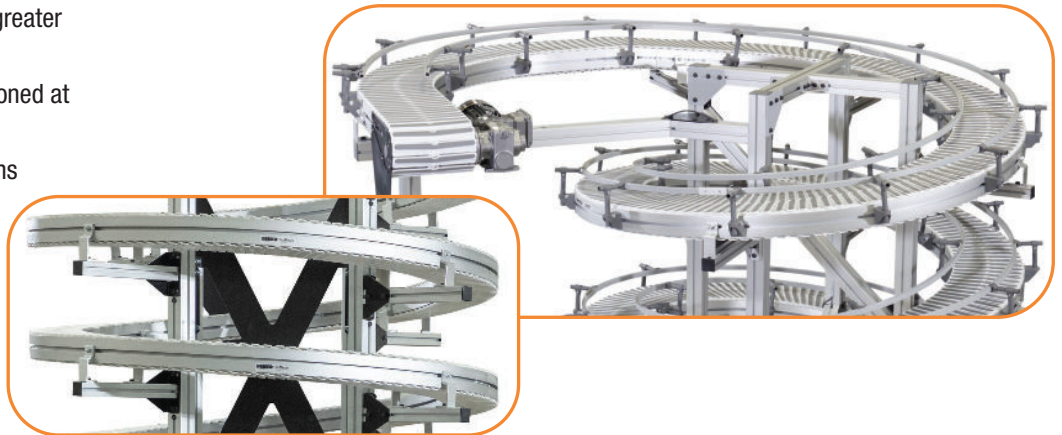
Guiding

- 30 mm (1.2 in) Aluminum High Side
- 70 mm (2.8 in) Aluminum High Side
- Fully Adjustable UHMW Guide
- Tool-less Fully Adjustable UHMW Guide
- Adjustable Outboard Guiding



Flexibility

- Unique, flexible design provides greater flexibility in layout
- Infeed and outfeed may be positioned at any height or angle
- Custom infeed and outfeed lengths allow the conveyor to extend beyond spiral, reducing the number of conveyors required
- Small footprint maximizes valuable floor space



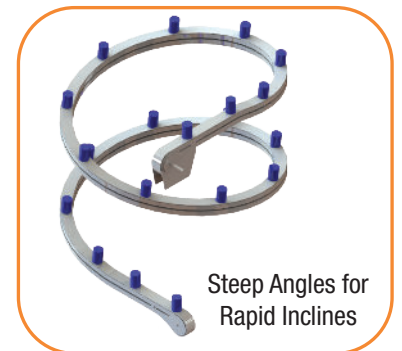
Patented Chain Design



- Patented side bearing chain reduces corner friction
- Innovative design allows for higher loads, faster speeds and smooth product handling

Build to Order Incline/Decline Angles

- Manufactured at exact angle for each application
- Incline options from 4 to 10 degrees
- Incline angles between 4 and 7 degrees provide accumulation capability



The Benefits of a Dorner FlexMove Helix Conveyor

Reduces Costs

- Available pre-assembled to your exact specifications; saving labor and set-up costs
- Simple conveyor based spiral uses the same service parts as all FlexMove products
- Industry leading product transfers eliminate costly product jams, bottlenecks, and damage

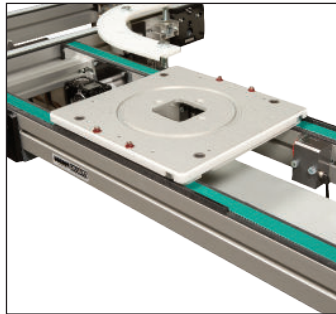
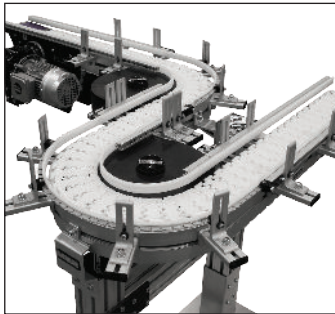
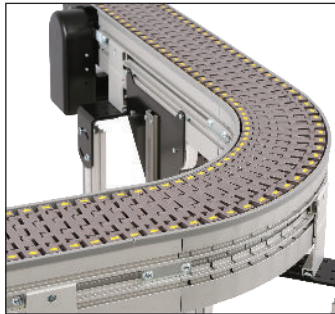
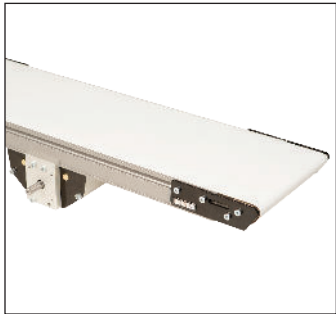
Saves Time

- Dorner's online configurator engineers simple or complex conveyors to meet your needs in minutes
- The industry leading tool delivers a complete 3D CAD assembly model for instant validation of fit

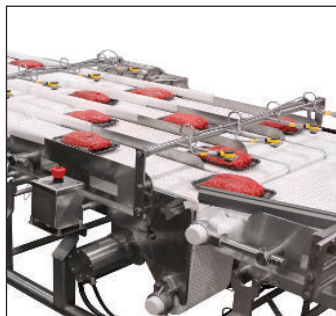
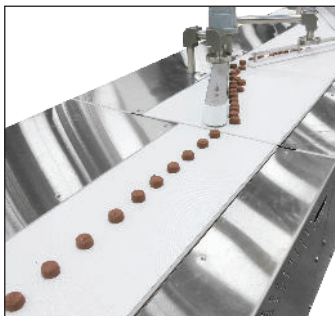
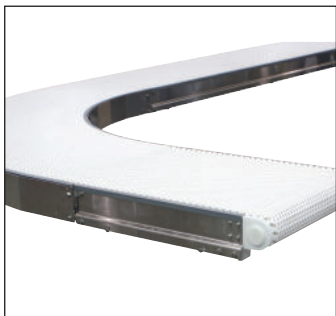
Delivers Fast

- Dorner sets the industry standard for delivery
- FlexMove Helix is shattering the norm with conveyors available to ship in as little as 30 working days

Industrial & Automation Conveyors



Sanitary Conveyors



Parts



Service



Online Configurator



Warranty