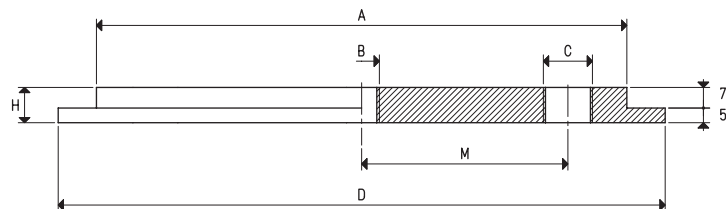


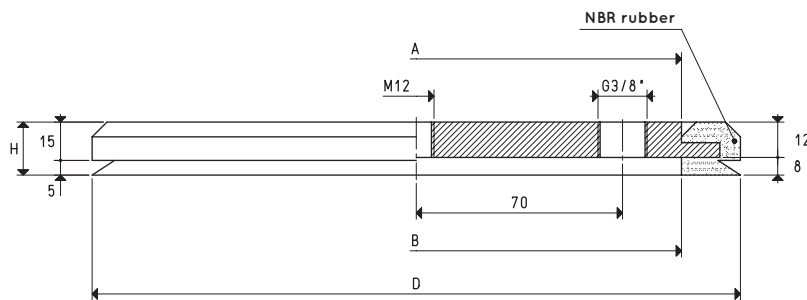
VACUUM CUP

Item	Force Kg	Volume cm ³	A Ø	B Ø	D Ø	H	Compound
01 220 10 A	78.5	203.4	180	180	220	20	oil-resistant rubber



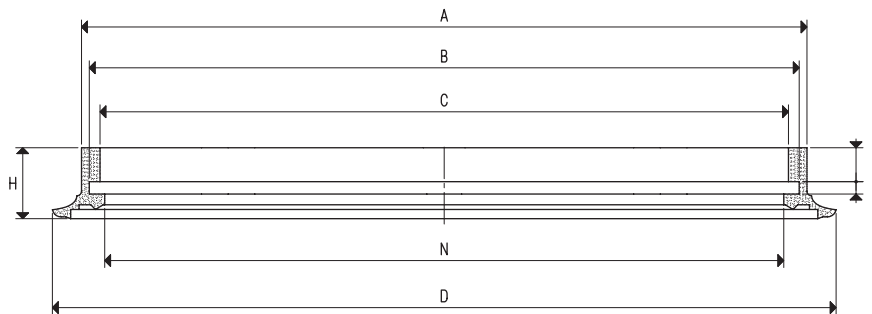
SUPPORT

Item	A Ø	B Ø	C Ø	D Ø	H	M	Support material	For vacuum cup item	Weight Kg
00 08 37	180	M12	G3/8"	206	12	70	aluminium	01 220 10 A	0.95



VACUUM CUP WITH SUPPORT

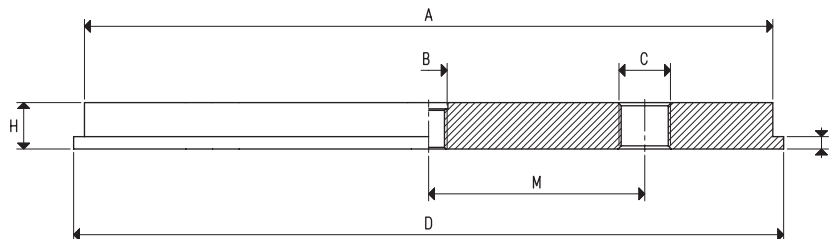
Item	Force Kg	A Ø	B Ø	D Ø	H	Vacuum cup item	Support item	Weight Kg
08 220 10 A	78.5	180	180	220	20	00 08 37	01 220 10 A	1.12



VACUUM CUP

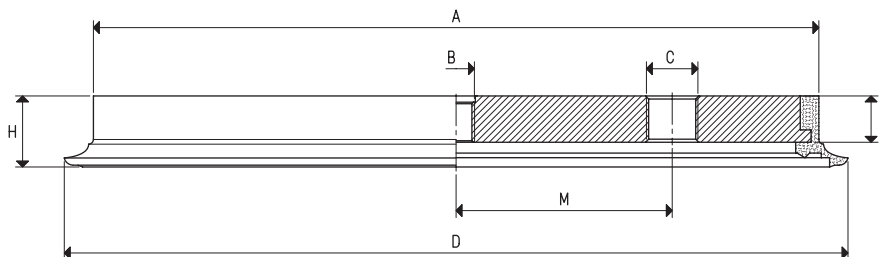
Item	Force Kg	Volume cm ³	A Ø	B Ø	C Ø	D Ø	E	F	H	N Ø
01 250 20 *	122.60	200.0	235	227	220	254	4	11	23	220

* Complete the code indicating the compound: A= oil-resistant rubber; N= natural para rubber; S= silicone



SUPPORT

Item	A Ø	B Ø	C Ø	D Ø	E	H	M	For vacuum cup item	Support material	Weight Kg
00 08 115	223	M12	G3/8"	230	4	15	70	01 250 20	aluminium	1.65



VACUUM CUP WITH SUPPORT

Item	Force Kg	A Ø	B Ø	C Ø	D Ø	F	H	M	Vacuum cup item	Support item	Weight Kg
08 250 20 *	122.60	237	M12	G3/8"	254	15	23	70	01 250 20	00 08 115	1.78

* Complete the code indicating the compound: A= oil-resistant rubber; N= natural para rubber; S= silicone