

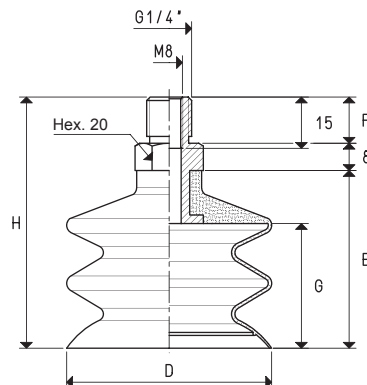
These cups are the same as the ones described in the previous page, only with an additional bellow. The technical features and availability are the same.



CUPS WITH TWO BELLOWS WITH VULCANISED FEMALE SUPPORT

Art.	Force Kg	A Ø	D Ø	E	F	G	H	Support material	Weight g
08 40 60 *	3.14	G1/4"	40	52	17	35	69	aluminium	39.6
08 50 50 *	4.90	G1/4"	50	55	17	38	72	aluminium	49.6
08 60 50 *	7.06	G1/4"	60	58	17	41	75	aluminium	72.4
08 60 50M12 *	7.06	M12	60	58	17	41	75	aluminium	73.0
08 85 50 *	14.08	G1/4"	85	78	17	58	95	aluminium	168.0
08 85 50M12 *	14.08	M12	85	78	17	58	95	aluminium	169.0

* Complete the code indicating the compound: A= oil-resistant rubber; N= natural para rubber; S= silicon



CUPS WITH TWO BELLOWS WITH VULCANISED MALE SUPPORT

Art.	Force Kg	D Ø	E	F	G	H	Support material	Weight g
08 40 60M *	3.14	40	52	13.5	35	73.5	aluminium	35.5
08 50 50M *	4.90	50	55	13.5	38	76.5	aluminium	49.3
08 60 50M *	7.06	60	58	13.5	41	79.5	aluminium	66.0
08 85 50M *	14.08	85	78	13.5	58	99.5	aluminium	157.0

* Complete the code indicating the compound: A= oil-resistant rubber; N= natural para rubber; S= silicon

Conversion ratio: inch = $\frac{\text{mm}}{25.4}$; pounds = $\frac{\text{g}}{453.6} = \frac{\text{Kg}}{0.4536}$

GAS - NPT thread adapters available at page 1.117