

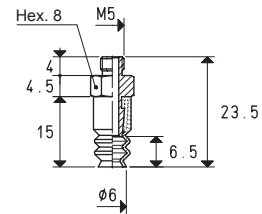
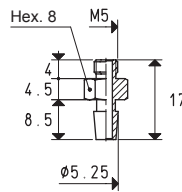
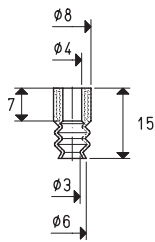


The main feature of these BELLOW CUPS is that they crumple up when in contact with surface to be gripped and in presence of a vacuum, thus creating a quick lifting movement independently from the machine. This rapid movement prevents the load beneath from remaining stuck to the lifted one. Due to their high flexibility they can also be used to compensate flatness errors or for the grip of inclined surfaces.

The cups shown in these pages are the ideal solution for our customers; in fact, they have been designed for handling biscuits, chocolate, eggs, stickers, labels, metal and plastic objects, laminated plastic, paper and plastic bags, etc. Their nickel-plated brass or anodised aluminium supports are provided with a central male or female threaded pin that enables suction and allows to fasten them to the machine.

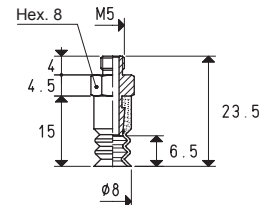
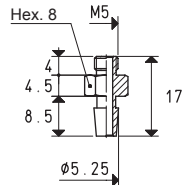
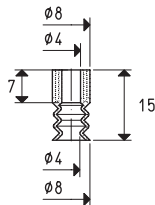
These cups can be manually assembled onto their supports with a simple pressure and with no adhesives.

They are available in the standard compounds and in the special ones listed at page 21 upon request.



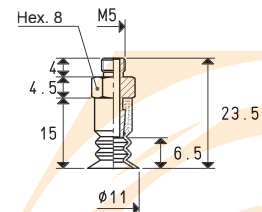
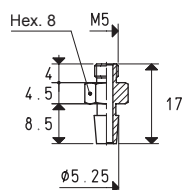
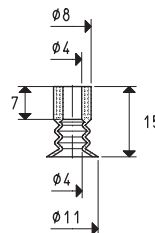
Cup Art.	Force Kg	Support Art.	Support material	Weight g	Cup with support Art.	Weight g
01 06 50 *	0.07	00 08 06	AVP	2.6	08 06 50 *	3.0

\* Complete the code indicating the compound: A= oil-resistant rubber; N= natural para rubber; S= silicon



Cup Art.	Force Kg	Support Art.	Support material	Weight g	Cup with support Art.	Weight g
01 08 50 *	0.12	00 08 06	AVP	2.6	08 08 50 *	3.1

\* Complete the code indicating the compound: A= oil-resistant rubber; N= natural para rubber; S= silicon

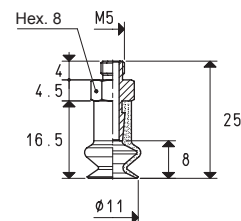
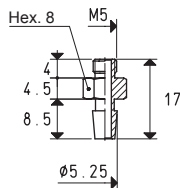
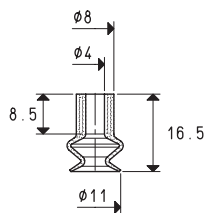


Cup Art.	Force Kg	Support Art.	Support material	Weight g	Cup with support Art.	Weight g
01 11 50 *	0.23	00 08 06	AVP	2.6	08 11 50 *	3.2

\* Complete the code indicating the compound: A= oil-resistant rubber; N= natural para rubber; S= silicon

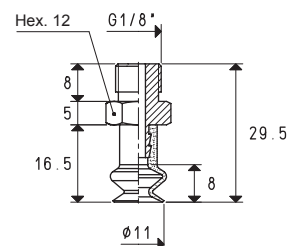
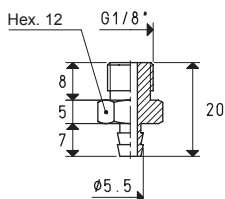
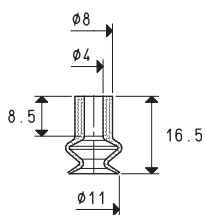
Conversion ratio: inch =  $\frac{mm}{25.4}$ ; pounds =  $\frac{g}{453.6}$  =  $\frac{Kg}{0.4536}$

GAS - NPT thread adapters available at page 1.117



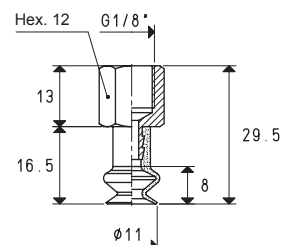
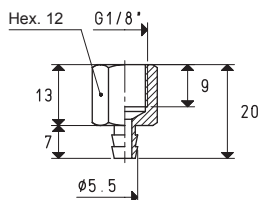
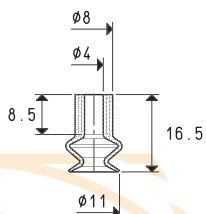
Cup Art.	Force Kg	Support Art.	Support material	Weight g	Cup with support Art.	Weight g
01 11 16 *	0.23	00 08 06	AVP	2.6	08 11 16 *	3.3

\* Complete the code indicating the compound: A= oil-resistant rubber; N= natural para rubber; S= silicon



Cup Art.	Force Kg	Support Art.	Support material	Weight g	Cup with support Art.	Weight g
01 11 16 *	0.23	00 08 03	brass	9.0	08 11 17 *	9.7

\* Complete the code indicating the compound: A= oil-resistant rubber; N= natural para rubber; S= silicon

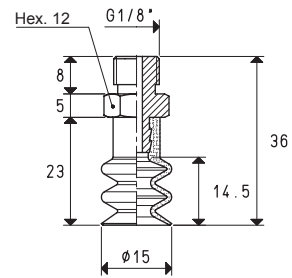
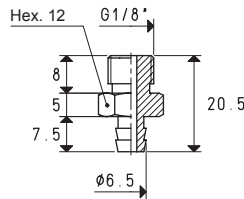
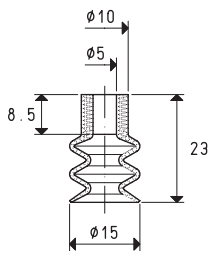


Cup Art.	Force Kg	Support Art.	Support material	Weight g	Cup with support Art.	Weight g
01 11 16 *	0.23	00 08 04	brass	8.1	08 11 17 F *	8.8

\* Complete the code indicating the compound: A= oil-resistant rubber; N= natural para rubber; S= silicon

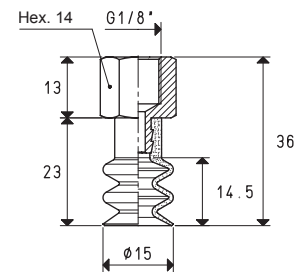
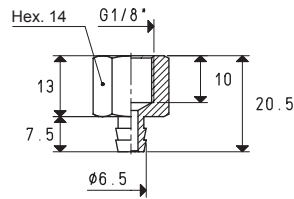
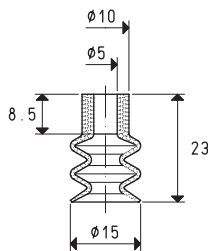
Conversion ratio:  $\text{inch} = \frac{\text{mm}}{25.4}$ ;  $\text{pounds} = \frac{\text{g}}{453.6} = \frac{\text{Kg}}{0.4536}$

GAS - NPT thread adapters available at page 1.117



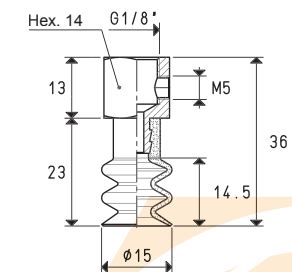
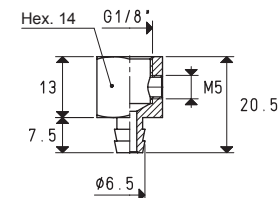
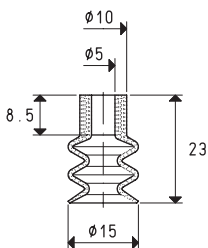
Cup Art.	Force Kg	Support Art.	Support material	Weight g	Cup with support Art.	Weight g
01 15 23 *	0.44	00 08 67	brass	11.4	08 15 23 *	12.7

\* Complete the code indicating the compound: A= oil-resistant rubber; N= natural para rubber; S= silicon



Cup Art.	Force Kg	Support Art.	Support material	Weight g	Cup with support Art.	Weight g
01 15 23 *	0.44	00 08 64	brass	13.9	08 15 23 F *	15.2

\* Complete the code indicating the compound: A= oil-resistant rubber; N= natural para rubber; S= silicon

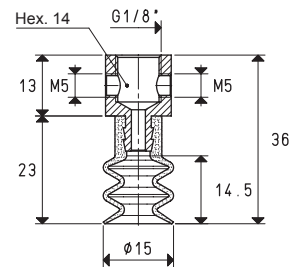
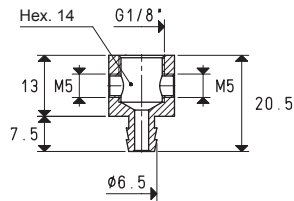
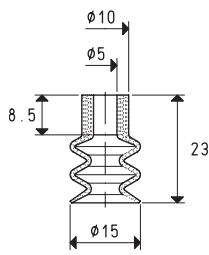


Cup Art.	Force Kg	Support Art.	Support material	Weight g	Cup with support Art.	Weight g
01 15 23 *	0.44	00 08 65	brass	13.7	08 15 24 F *	15.0

\* Complete the code indicating the compound: A= oil-resistant rubber; N= natural para rubber; S= silicon

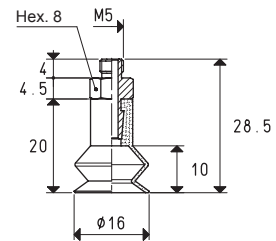
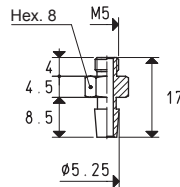
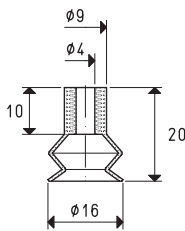
Conversion ratio: inch =  $\frac{mm}{25.4}$ ; pounds =  $\frac{g}{453.6}$  =  $\frac{Kg}{0.4536}$

GAS - NPT thread adapters available at page 1.117



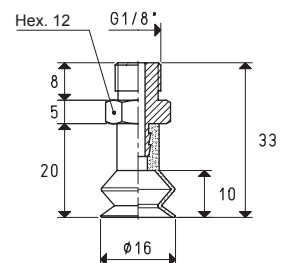
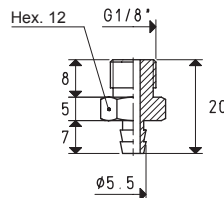
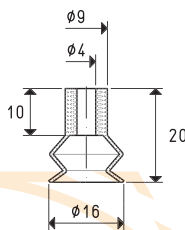
Cup Art.	Force Kg	Support Art.	Support material	Weight g	Cup with support Art.	Weight g
01 15 23 *	0.44	00 08 66	brass	13.5	08 15 26 F *	14.8

\* Complete the code indicating the compound: A= oil-resistant rubber; N= natural para rubber; S= silicon



Cup Art.	Force Kg	Support Art.	Support material	Weight g	Cup with support Art.	Weight g
01 16 20 *	0.50	00 08 06	brass	2.6	08 16 20 *	3.6

\* Complete the code indicating the compound: A= oil-resistant rubber; N= natural para rubber; S= silicon

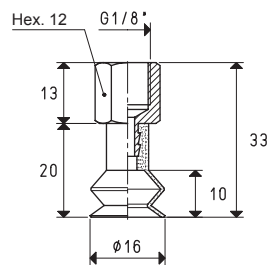
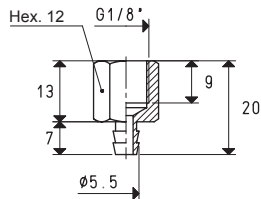
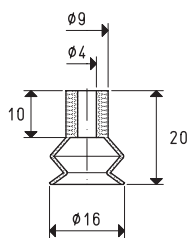


Cup Art.	Force Kg	Support Art.	Support material	Weight g	Cup with support Art.	Weight g
01 16 20 *	0.50	00 08 03	brass	9.0	08 16 21 *	10.0

\* Complete the code indicating the compound: A= oil-resistant rubber; N= natural para rubber; S= silicon

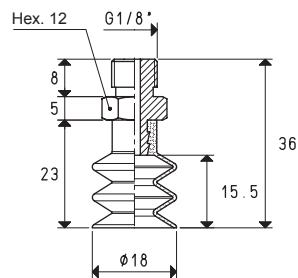
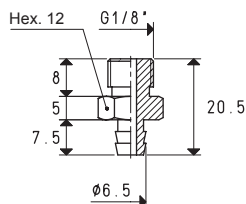
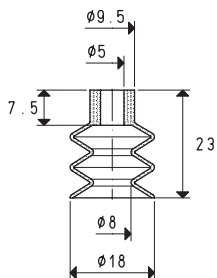
Conversion ratio:  $\text{inch} = \frac{\text{mm}}{25.4}$ ,  $\text{pounds} = \frac{\text{g}}{453.6} = \frac{\text{Kg}}{0.4536}$

GAS - NPT thread adapters available at page 1.117



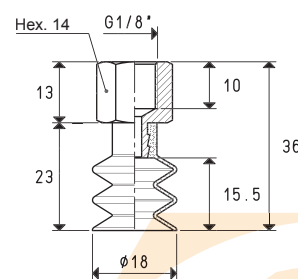
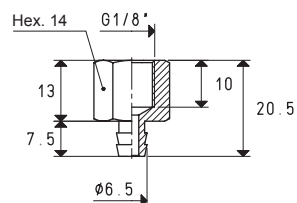
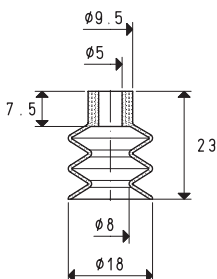
Cup Art.	Force Kg	Support Art.	Support material	Weight g	Cup with support Art.	Weight g
01 16 20 *	0.50	00 08 04	brass	8.1	08 16 21 F *	9.1

\* Complete the code indicating the compound: A= oil-resistant rubber; N= natural para rubber; S= silicon



Cup Art.	Force Kg	Support Art.	Support material	Weight g	Cup with support Art.	Weight g
01 18 23 *	0.63	00 08 67	brass	11.4	08 18 23 *	12.9

\* Complete the code indicating the compound: A= oil-resistant rubber; N= natural para rubber; S= silicon

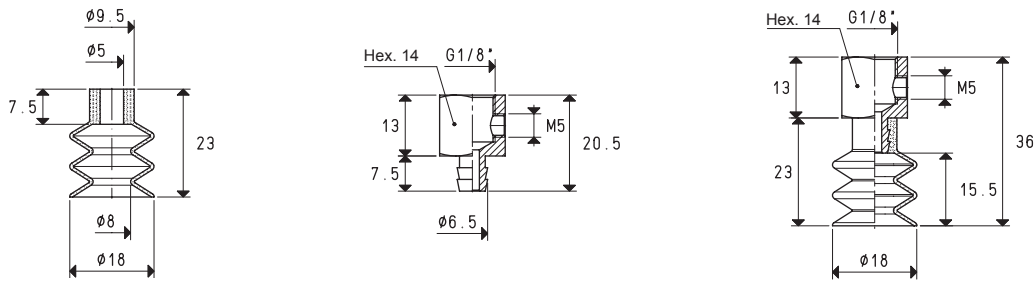


Cup Art.	Force Kg	Support Art.	Support material	Weight g	Cup with support Art.	Weight g
01 18 23 *	0.63	00 08 64	brass	13.9	08 18 23 F *	15.4

\* Complete the code indicating the compound: A= oil-resistant rubber; N= natural para rubber; S= silicon

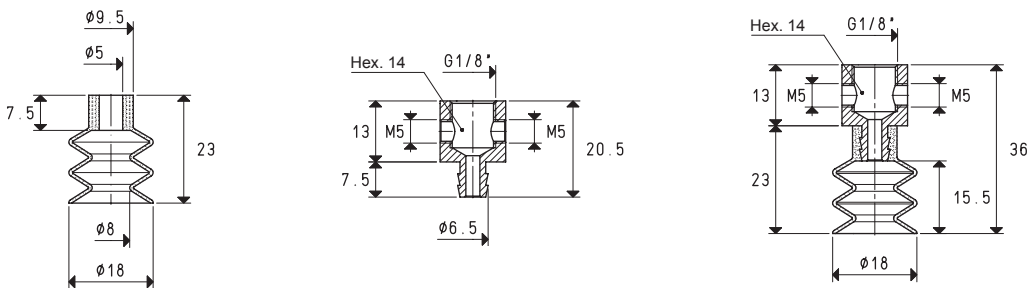
Conversion ratio: inch =  $\frac{mm}{25.4}$ ; pounds =  $\frac{g}{453.6}$  =  $\frac{Kg}{0.4536}$

GAS - NPT thread adapters available at page 1.117



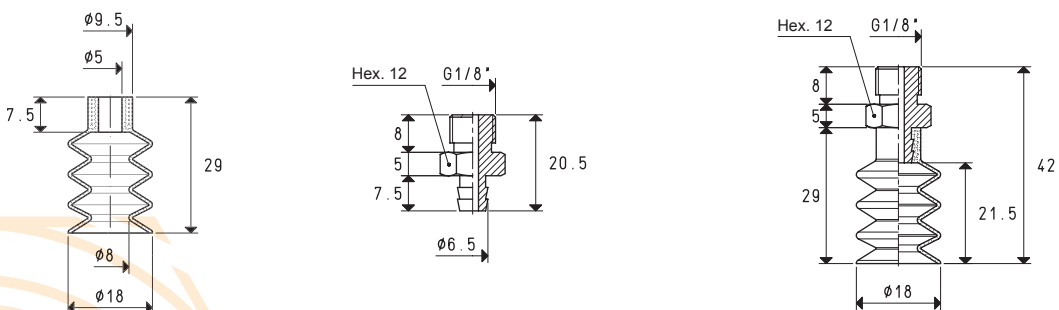
Cup Art.	Force Kg	Support Art.	Support material	Weight g	Cup with support Art.	Weight g
01 18 23 *	0.63	00 08 65	brass	13.7	08 18 24 F *	15.2

\* Complete the code indicating the compound: A= oil-resistant rubber; N= natural para rubber; S= silicon



Cup Art.	Force Kg	Support Art.	Support material	Weight g	Cup with support Art.	Weight g
01 18 23 *	0.63	00 08 66	brass	13.5	08 18 26 F *	15.0

\* Complete the code indicating the compound: A= oil-resistant rubber; N= natural para rubber; S= silicon

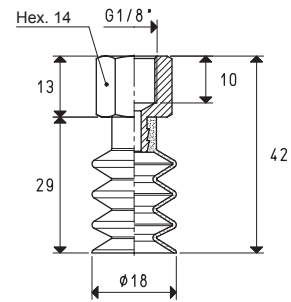
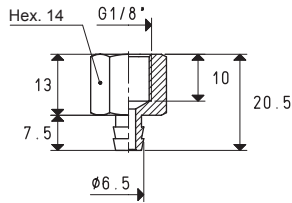
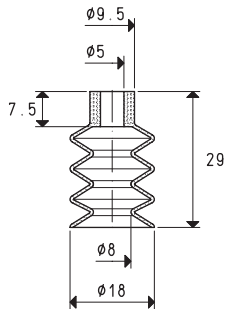


Cup Art.	Force Kg	Support Art.	Support material	Weight g	Cup with support Art.	Weight g
01 18 29 *	0.63	00 08 67	brass	11.4	08 18 29 *	13.2

\* Complete the code indicating the compound: A= oil-resistant rubber; N= natural para rubber; S= silicon

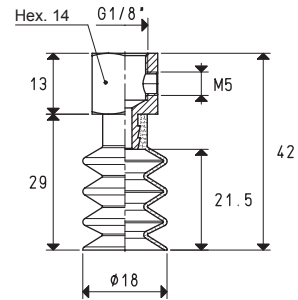
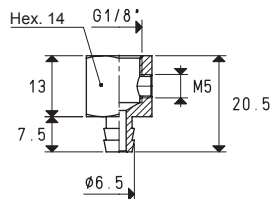
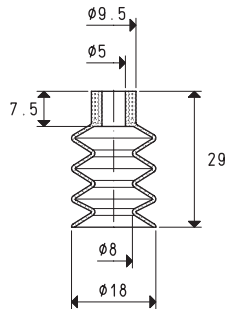
Conversion ratio: inch =  $\frac{\text{mm}}{25.4}$ , pounds =  $\frac{\text{g}}{453.6} = 0.4536$

GAS - NPT thread adapters available at page 1.117



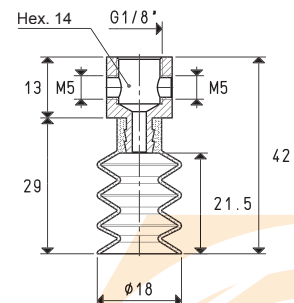
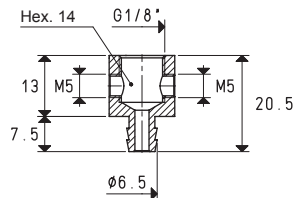
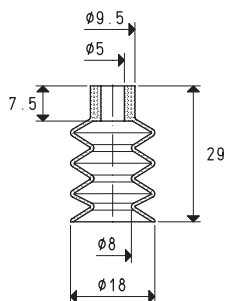
Cup Art.	Force Kg	Support Art.	Support material	Weight g	Cup with support Art.	Weight g
01 18 29 *	0.63	00 08 64	brass	13.9	08 18 29 F *	15.7

\* Complete the code indicating the compound: A= oil-resistant rubber; N= natural para rubber; S= silicon



Cup Art.	Force Kg	Support Art.	Support material	Weight g	Cup with support Art.	Weight g
01 18 29 *	0.63	00 08 65	brass	13.7	08 18 30 F *	15.5

\* Complete the code indicating the compound: A= oil-resistant rubber; N= natural para rubber; S= silicon

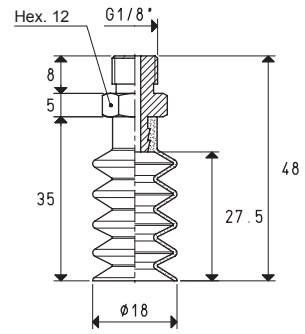
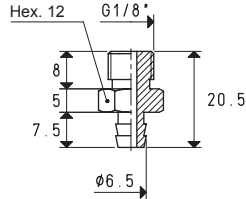
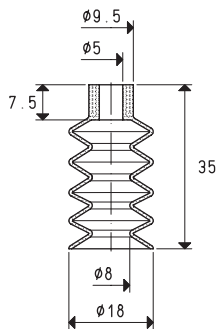


Cup Art.	Force Kg	Support Art.	Support material	Weight g	Cup with support Art.	Weight g
01 18 29 *	0.63	00 08 66	brass	13.5	08 18 31 F *	15.3

\* Complete the code indicating the compound: A= oil-resistant rubber; N= natural para rubber; S= silicon

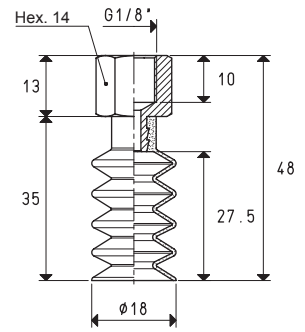
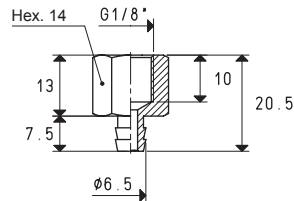
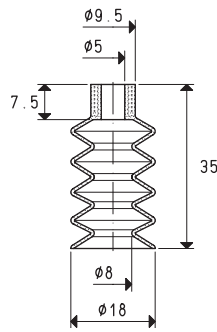
Conversion ratio: inch =  $\frac{\text{mm}}{25.4}$ ; pounds =  $\frac{\text{g}}{453.6}$  =  $\frac{\text{Kg}}{0.4536}$

GAS - NPT thread adapters available at page 1.117



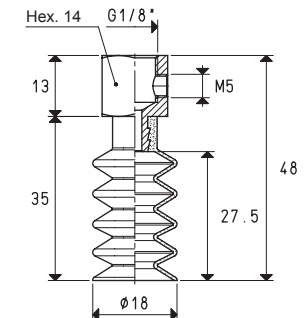
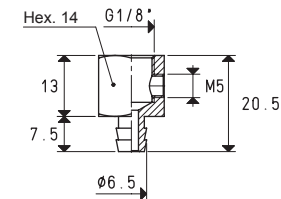
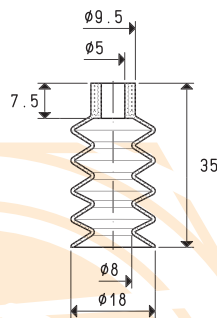
Cup Art.	Force Kg	Support Art.	Support material	Weight g	Cup with support Art.	Weight g
01 18 35 *	0.63	00 08 67	brass	11.4	08 18 35 *	13.7

\* Complete the code indicating the compound: A= oil-resistant rubber; N= natural para rubber; S= silicon



Cup Art.	Force Kg	Support Art.	Support material	Weight g	Cup with support Art.	Weight g
01 18 35 *	0.63	00 08 64	brass	13.9	08 18 35 F *	16.2

\* Complete the code indicating the compound: A= oil-resistant rubber; N= natural para rubber; S= silicon



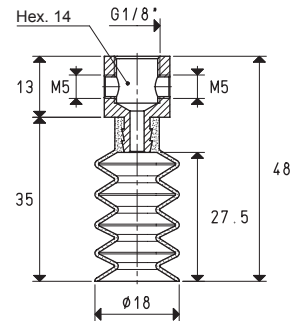
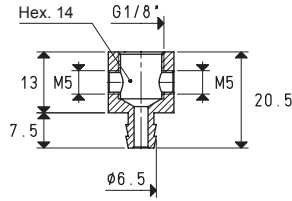
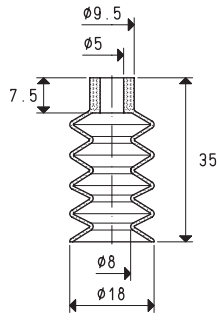
Cup Art.	Force Kg	Support Art.	Support material	Weight g	Cup with support Art.	Weight g
01 18 35 *	0.63	00 08 65	brass	13.7	08 18 36 F *	16.0

\* Complete the code indicating the compound: A= oil-resistant rubber; N= natural para rubber; S= silicon

Conversion ratio:  $\text{inch} = \frac{\text{mm}}{25.4}$ ;  $\text{pounds} = \frac{\text{g}}{453.6} = 0.4536$

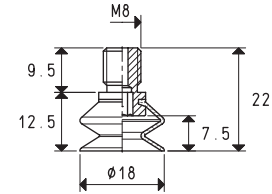
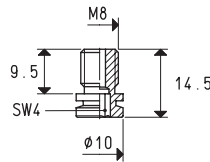
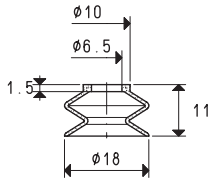
GAS - NPT thread adapters available at page 1.117





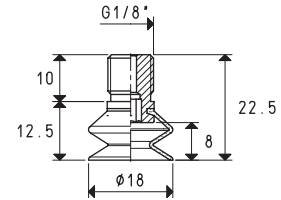
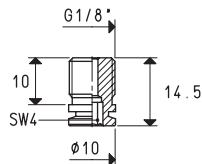
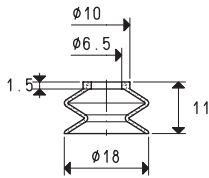
Cup Art.	Force Kg	Support Art.	Support material	Weight g	Cup with support Art.	Weight g
01 18 35 *	0.63	00 08 66	brass	13.5	08 18 37 F *	15.8

\* Complete the code indicating the compound: A= oil-resistant rubber; N= natural para rubber; S= silicon



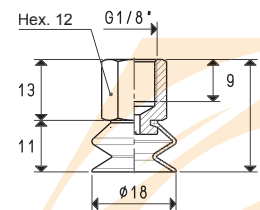
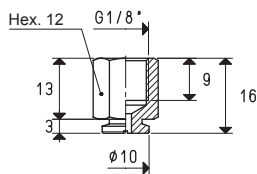
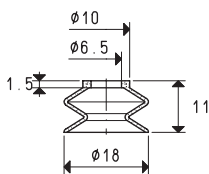
Cup Art.	Force Kg	Support Art.	Support material	Weight g	Cup with support Art.	Weight g
01 18 50 *	0.63	00 08 07	brass	4.8	08 18 50 *	5.5

\* Complete the code indicating the compound: A= oil-resistant rubber; N= natural para rubber; S= silicon



Cup Art.	Force Kg	Support Art.	Support material	Weight g	Cup with support Art.	Weight g
01 18 50 *	0.63	00 08 61	brass	6.5	08 18 51 *	7.2

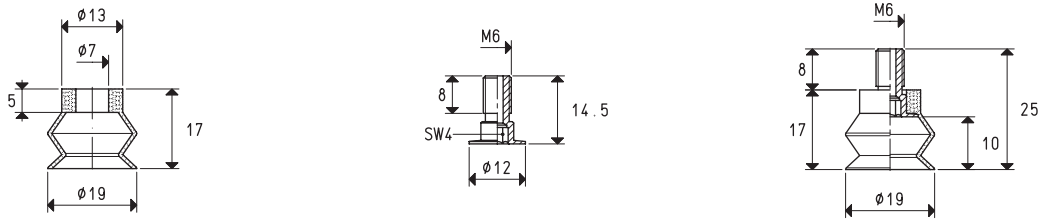
\* Complete the code indicating the compound: A= oil-resistant rubber; N= natural para rubber; S= silicon



Cup Art.	Force Kg	Support Art.	Support material	Weight g	Cup with support Art.	Weight g
01 18 50 *	0.63	00 08 62	brass	9.4	08 18 52 *	10.1

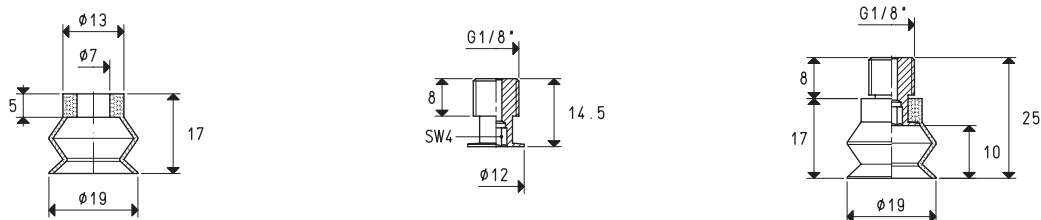
\* Complete the code indicating the compound: A= oil-resistant rubber; N= natural para rubber; S= silicon

Conversion ratio: inch =  $\frac{mm}{25.4}$ ; pounds =  $\frac{g}{453.6}$  =  $\frac{Kg}{0.4536}$  GAS - NPT thread adapters available at page 1.117



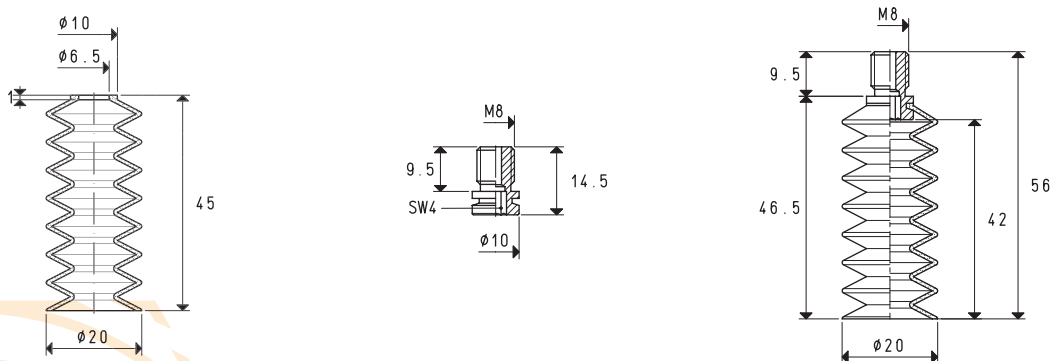
Cup Art.	Force Kg	Support Art.	Support material	Weight g	Cup with support Art.	Weight g
01 19 17 *	0.70	00 08 08	brass	2.7	08 19 17 *	4.0

\* Complete the code indicating the compound: A= oil-resistant rubber; N= natural para rubber; S= silicon



Cup Art.	Force Kg	Support Art.	Support material	Weight g	Cup with support Art.	Weight g
01 19 18 *	0.70	00 08 60	brass	5.6	08 19 18*	6.9

\* Complete the code indicating the compound: A= oil-resistant rubber; N= natural para rubber; S= silicon

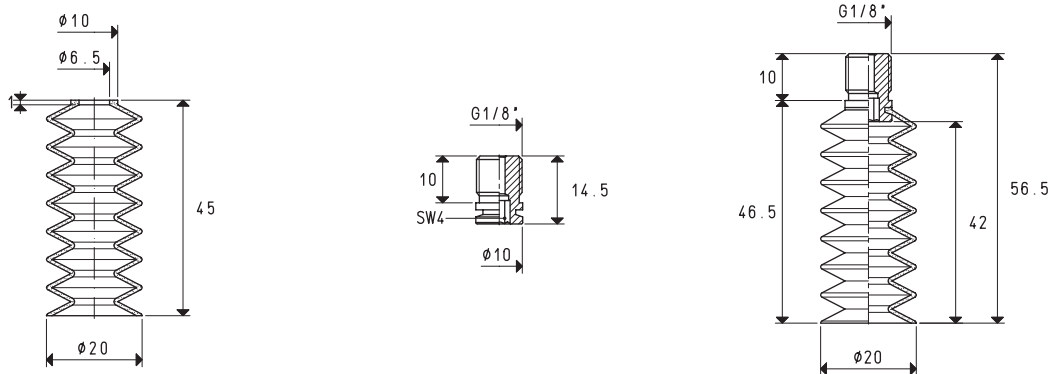


Cup Art.	Force Kg	Support Art.	Support material	Weight g	Cup with support Art.	Weight g
01 20 60 *	0.78	00 08 07	brass	4.8	08 20 60 *	9.0

\* Complete the code indicating the compound: A= oil-resistant rubber; N= natural para rubber; S= silicon

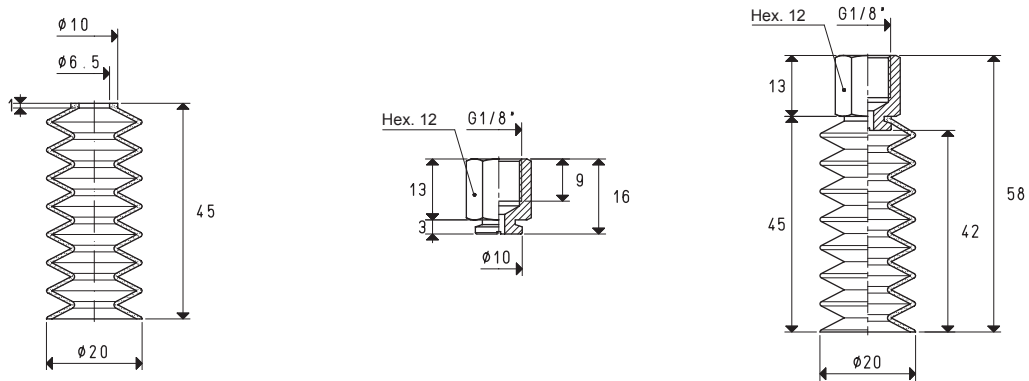
Conversion ratio:  $\text{inch} = \frac{\text{mm}}{25.4}$ ;  $\text{pounds} = \frac{\text{g}}{453.6} = \frac{\text{Kg}}{0.4536}$

GAS - NPT thread adapters available at page 1.117



Cup Art.	Force Kg	Support Art.	Support material	Weight g	Cup with support Art.	Weight g
01 20 60 *	0.78	00 08 61	brass	6.5	08 20 61 *	10.7

\* Complete the code indicating the compound: A= oil-resistant rubber; N= natural para rubber; S= silicon

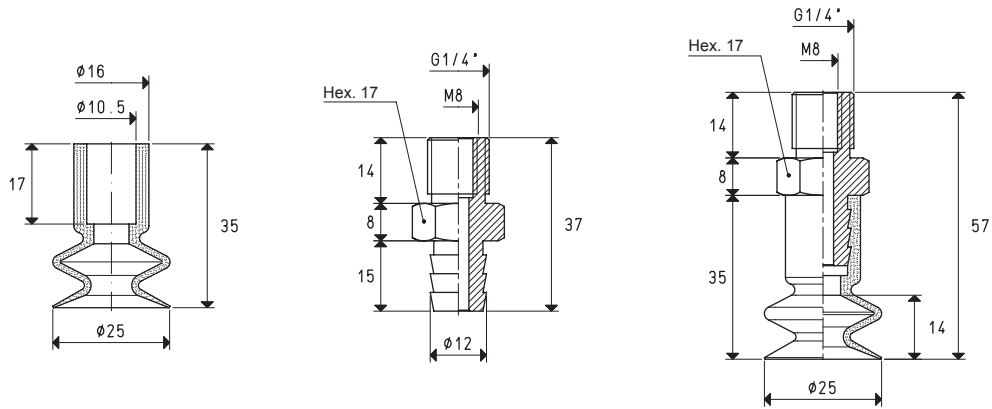


Cup Art.	Force Kg	Support Art.	Support material	Weight g	Cup with support Art.	Weight g
01 20 60 *	0.78	00 08 62	brass	4.4	08 20 62 *	8.6

\* Complete the code indicating the compound: A= oil-resistant rubber; N= natural para rubber; S= silicon

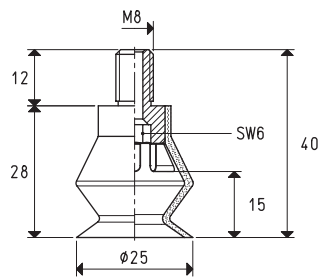
Conversion ratio: inch =  $\frac{mm}{25.4}$  ; pounds =  $\frac{g}{453.6}$  =  $\frac{Kg}{0.4536}$

GAS - NPT thread adapters available at page 1.117



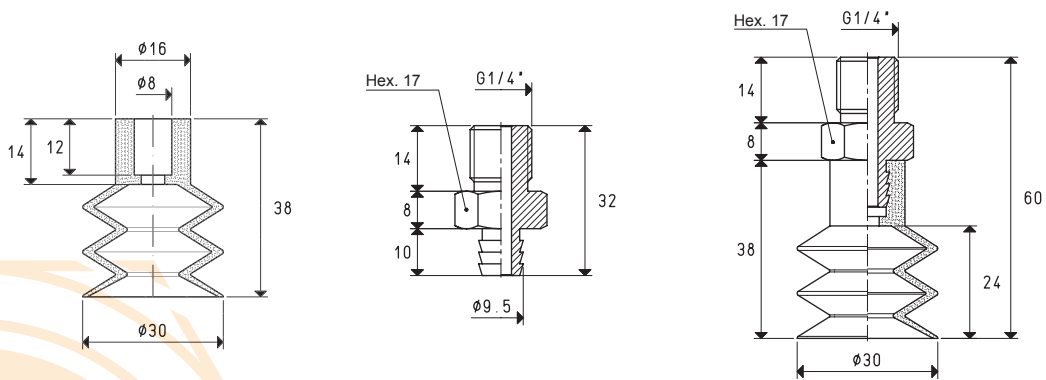
Cup Art.	Force Kg	Support Art.	Support material	Weight g	Cup with support Art.	Weight g
01 25 35 *	1.23	00 08 15	aluminium	12.3	08 25 35 *	17.3

\* Complete the code indicating the compound: A= oil-resistant rubber; N= natural para rubber; S= silicon



Cup with vulcanised support art.	Force Kg	Support material	Weight g
08 25 40 *	1.23	steel	13.0

\* Complete the code indicating the compound: A= oil-resistant rubber; N= natural para rubber; S= silicon

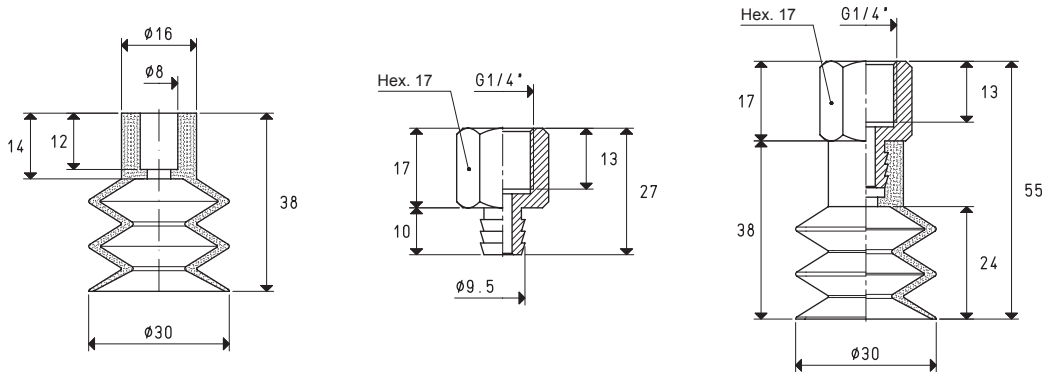


Cup Art.	Force Kg	Support Art.	Support material	Weight g	Cup with support Art.	Weight g
01 30 50 *	1.76	00 08 18	aluminium	10.3	08 30 50 *	17.9

\* Complete the code indicating the compound: A= oil-resistant rubber; N= natural para rubber; S= silicon

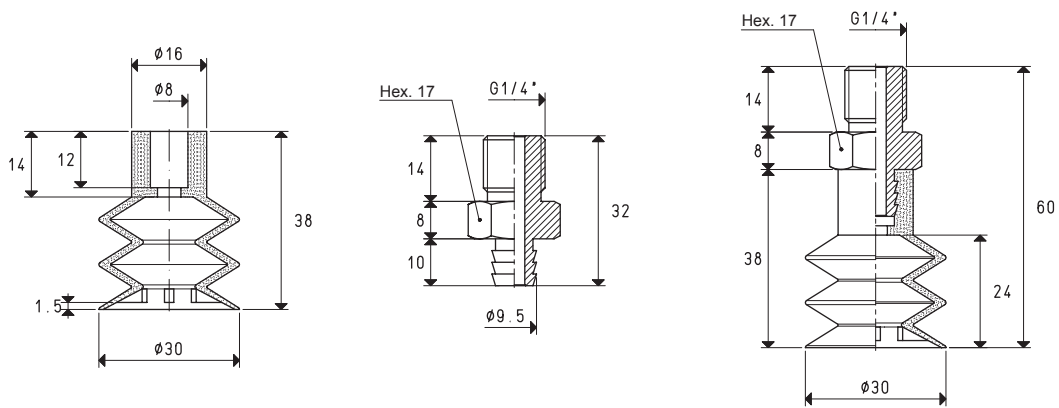
Conversion ratio:  $\text{inch} = \frac{\text{mm}}{25.4}$ ;  $\text{pounds} = \frac{\text{g}}{453.6} = \frac{\text{Kg}}{0.4536}$

GAS - NPT thread adapters available at page 1.117



Cup Art.	Force Kg	Support Art.	Support material	Weight g	Cup with support Art.	Weight g
01 30 50 *	1.76	00 08 50	aluminium	8.5	08 30 50 F *	16.1

\* Complete the code indicating the compound: A= oil-resistant rubber; N= natural para rubber; S= silicon

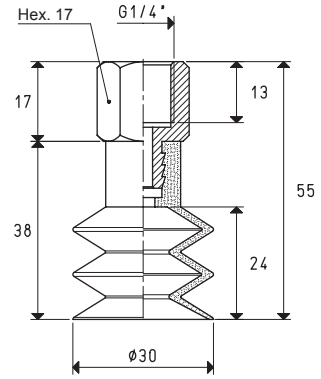
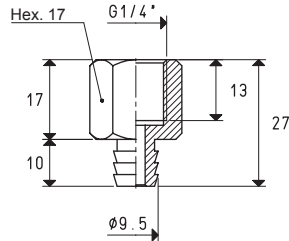
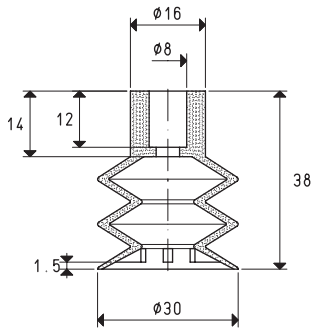


Cup Art.	Force Kg	Support Art.	Support material	Weight g	Cup with support Art.	Weight g
01 30 99 *	1.76	00 08 18	aluminium	10.3	08 30 99 *	18.5

\* Complete the code indicating the compound: A= oil-resistant rubber; N= natural para rubber; S= silicon

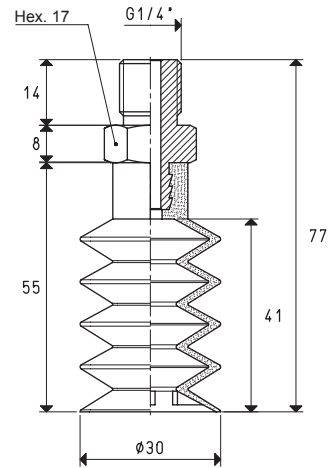
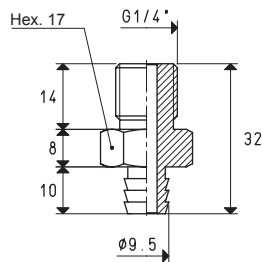
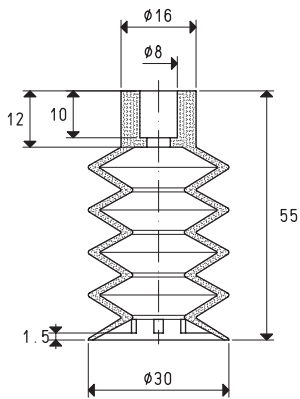
Conversion ratio: inch =  $\frac{mm}{25.4}$ ; pounds =  $\frac{g}{453.6}$  =  $\frac{Kg}{0.4536}$

GAS - NPT thread adapters available at page 1.117



Cup Art.	Force Kg	Support Art.	Support material	Weight g	Cup with support Art.	Weight g
01 30 99 *	1.76	00 08 50	aluminium	8.5	08 30 99 F *	16.7

\* Complete the code indicating the compound: A= oil-resistant rubber; N= natural para rubber; S= silicon

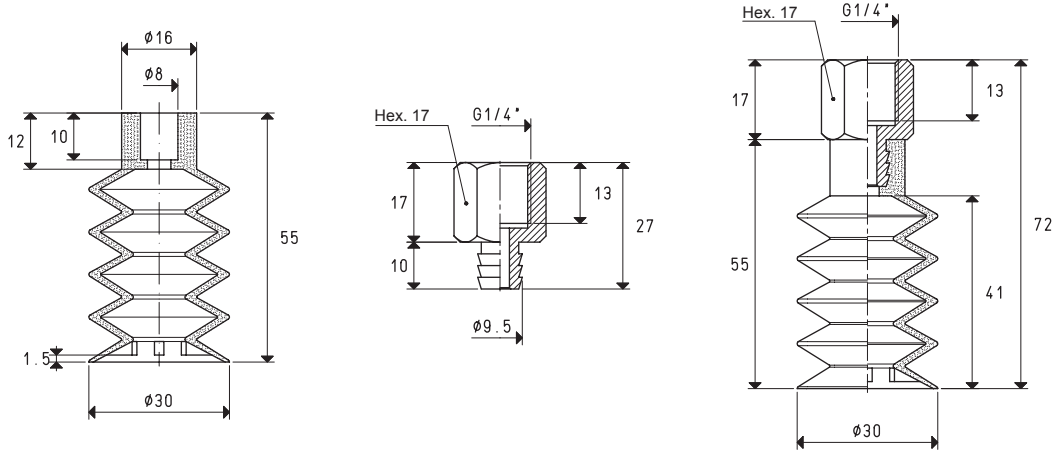


Cup Art.	Force Kg	Support Art.	Support material	Weight g	Cup with support Art.	Weight g
01 30 55 *	1.76	00 08 18	aluminium	10.3	08 30 55 *	23.1

\* Complete the code indicating the compound: A= oil-resistant rubber; N= natural para rubber; S= silicon

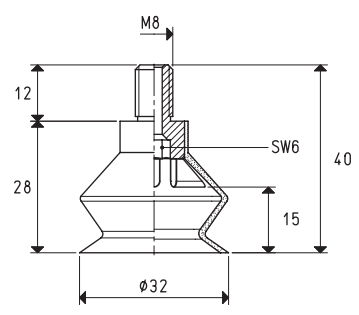
Conversion ratio: inch =  $\frac{mm}{25.4}$ ; pounds =  $\frac{g}{453.6} = \frac{Kg}{0.4536}$

GAS - NPT thread adapters available at page 1.117



Cup Art.	Force Kg	Support Art.	Support material	Weight g	Cup with support Art.	Weight g
01 30 55 *	1.76	00 08 50	aluminium	8.5	08 30 55 F *	21.3

\* Complete the code indicating the compound: A= oil-resistant rubber; N= natural para rubber; S= silicon

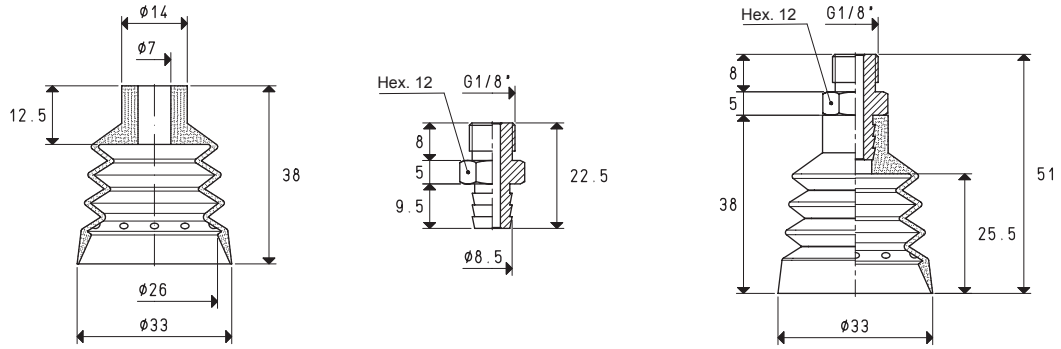


Cup with vulcanised support art.	Force Kg	Support material	Weight g
08 32 40 *	2.00	steel	14.0

\* Complete the code indicating the compound: A= oil-resistant rubber; N= natural para rubber; S= silicon

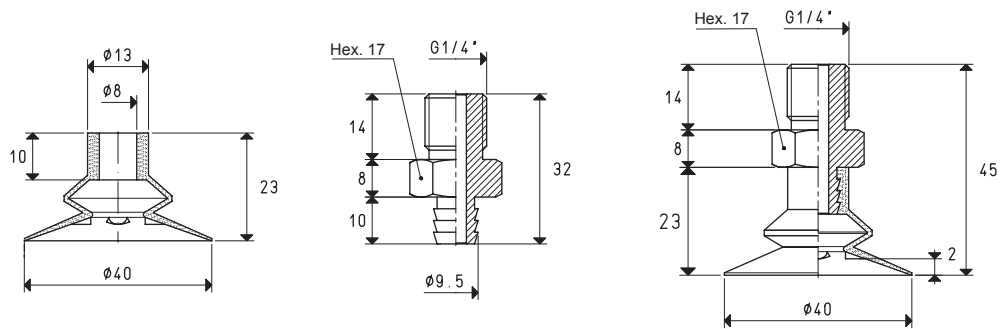
Conversion ratio: inch =  $\frac{mm}{25.4}$ ; pounds =  $\frac{g}{453.6}$  =  $\frac{Kg}{0.4536}$

GAS - NPT thread adapters available at page 1.117



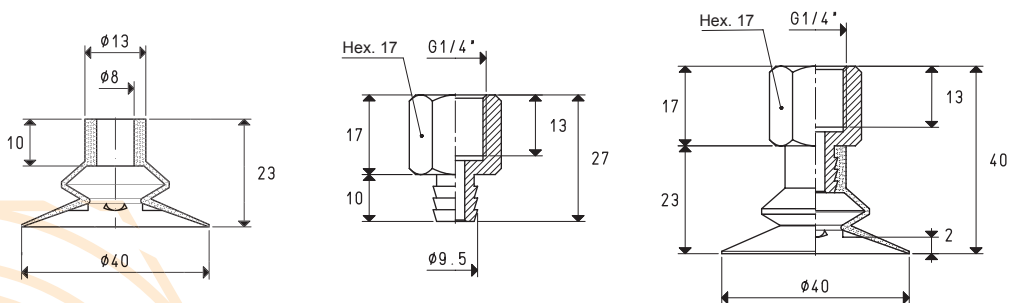
Cup Art.	Force Kg	Support Art.	Support material	Weight g	Cup with support Art.	Weight g
01 33 50 *	2.13	00 08 82	brass	11.2	08 33 50 *	18.8

\* Complete the code indicating the compound: A= oil-resistant rubber; N= natural para rubber; S= silicon



Cup Art.	Force Kg	Support Art.	Support material	Weight g	Cup with support Art.	Weight g
01 40 50 *	2.40	00 08 18	aluminium	10.3	08 40 50 *	14.9

\* Complete the code indicating the compound: A= oil-resistant rubber; N= natural para rubber; S= silicon



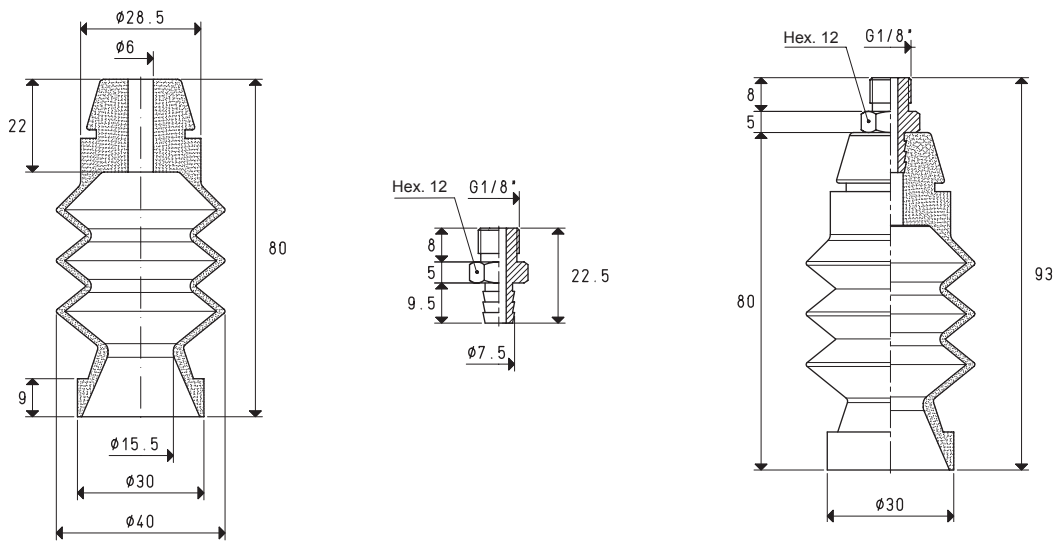
Cup Art.	Force Kg	Support Art.	Support material	Weight g	Cup with support Art.	Weight g
01 40 50 *	2.40	00 08 50	aluminium	8.5	08 40 50 F *	13.1

\* Complete the code indicating the compound: A= oil-resistant rubber; N= natural para rubber; S= silicon

Conversion ratio:  $\text{inch} = \frac{\text{mm}}{25.4}$      $\text{pounds} = \frac{\text{g}}{453.6} = \frac{\text{Kg}}{0.4536}$

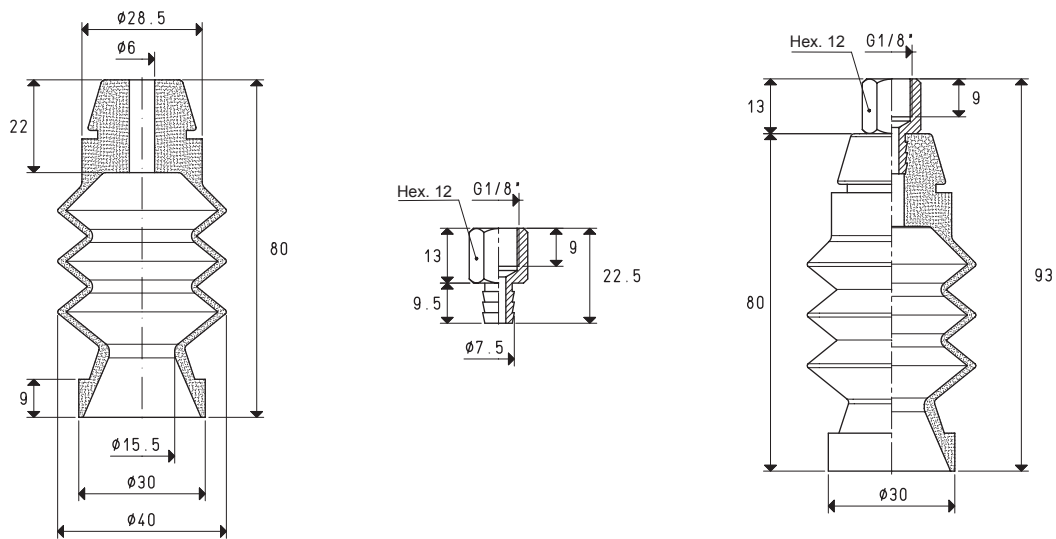
GAS - NPT thread adapters available at page 1.117





Cup Art.	Force Kg	Support Art.	Support material	Weight g	Cup with support Art.	Weight g
01 40 80 *	1.76	00 08 05	brass	10.0	08 40 80 *	38.7

\* Complete the code indicating the compound: A= oil-resistant rubber; N= natural para rubber; S= silicon

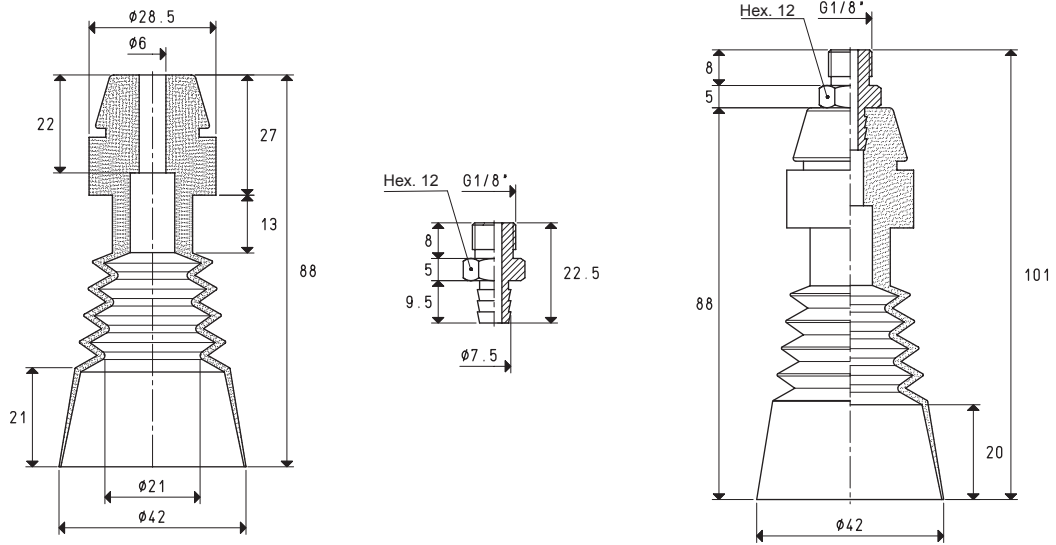


Cup Art.	Force Kg	Support Art.	Support material	Weight g	Cup with support Art.	Weight g
01 40 80 *	1.76	00 08 14	brass	9.8	08 40 80 F *	38.5

\* Complete the code indicating the compound: A= oil-resistant rubber; N= natural para rubber; S= silicon

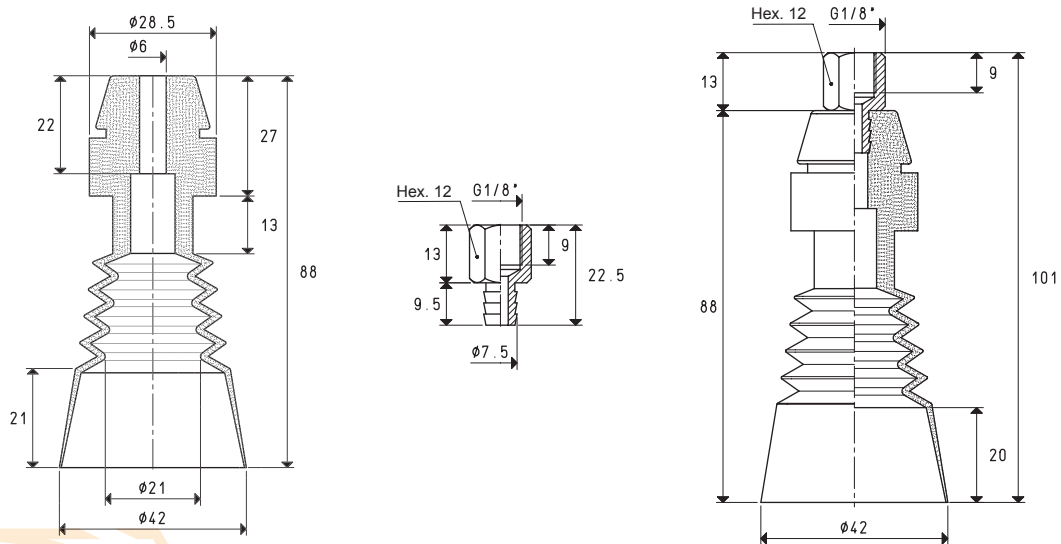
Conversion ratio: inch =  $\frac{mm}{25.4}$  ; pounds =  $\frac{g}{453.6} = \frac{Kg}{0.4536}$

GAS - NPT thread adapters available at page 1.117



Cup Art.	Force Kg	Support Art.	Support material	Weight g	Cup with support Art.	Weight g
01 42 90 *	3.00	00 08 05	brass	10.0	08 42 90 *	34.5

\* Complete the code indicating the compound: A= oil-resistant rubber; N= natural para rubber; S= silicon

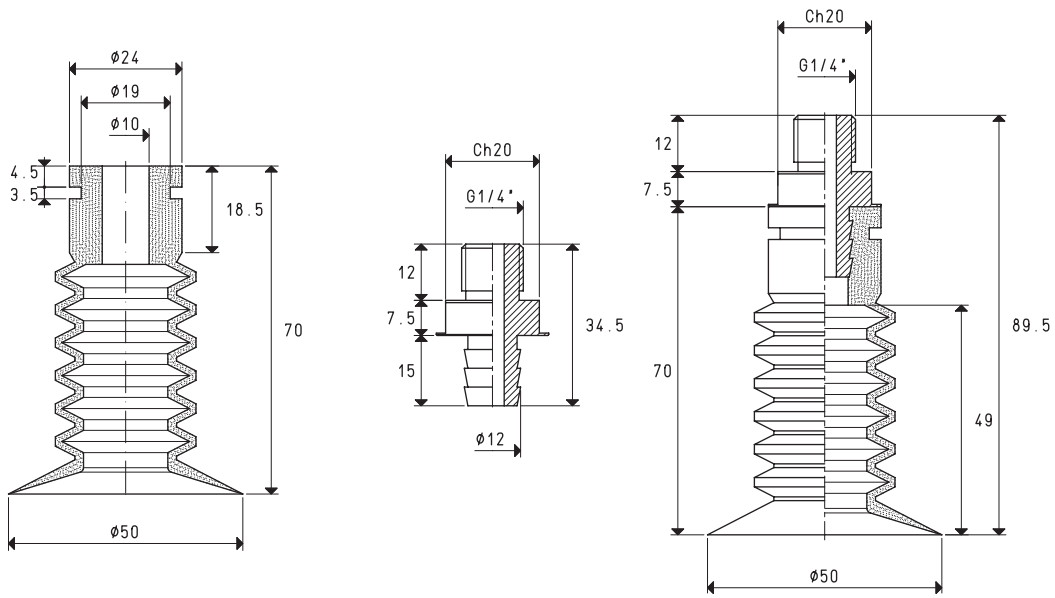


Cup Art.	Force Kg	Support Art.	Support material	Weight g	Cup with support Art.	Weight g
01 42 90 *	3.00	00 08 14	brass	9.8	08 42 90 F *	34.3

\* Complete the code indicating the compound: A= oil-resistant rubber; N= natural para rubber; S= silicon

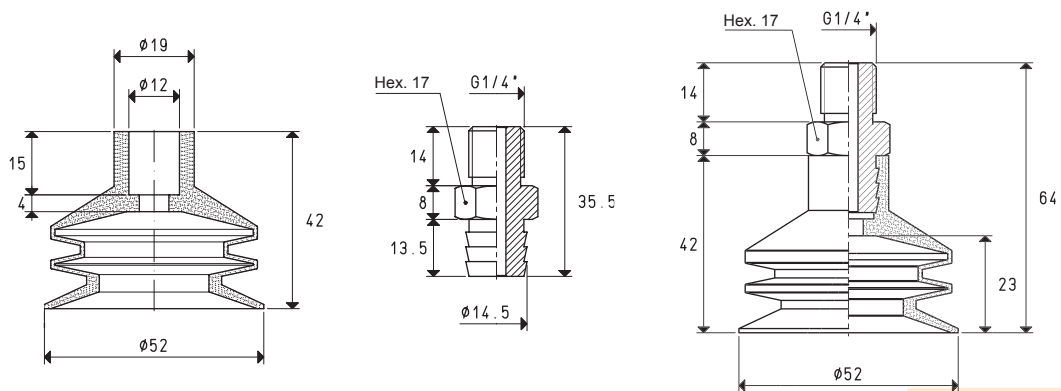
Conversion ratio:  $\text{inch} = \frac{\text{mm}}{25.4}$ ;  $\text{pounds} = \frac{\text{g}}{453.6} = \frac{\text{Kg}}{0.4536}$

GAS - NPT thread adapters available at page 1.117



Cup Art.	Force Kg	Support Art.	Support material	Weight g	Cup with support Art.	Weight g
01 50 70 *	4.90	00 08 148	aluminium	14.5	08 50 70 *	36.8

\* Complete the code indicating the compound: A= oil-resistant rubber; N= natural para rubber; S= silicon

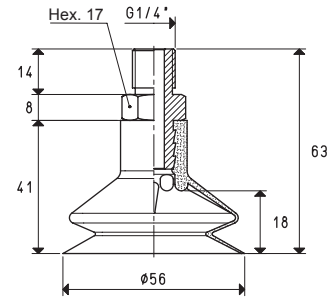
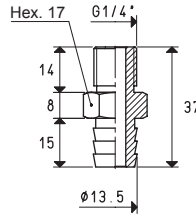
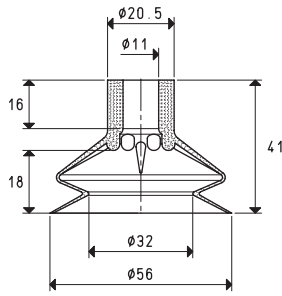


Cup Art.	Force Kg	Support Art.	Support material	Weight g	Cup with support Art.	Weight g
01 52 50 *	5.30	00 08 26	aluminium	13.5	08 52 50 *	38.2

\* Complete the code indicating the compound: A= oil-resistant rubber; N= natural para rubber; S= silicon

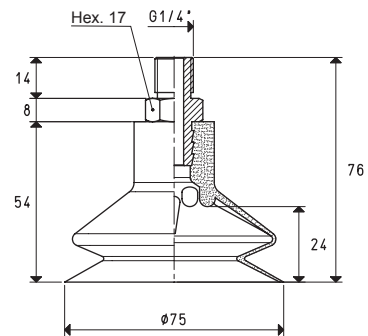
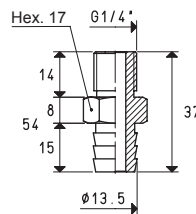
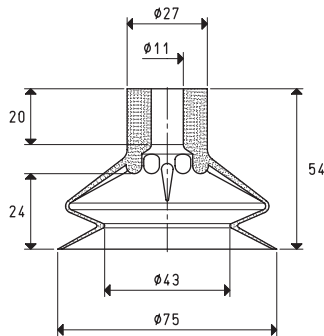
Conversion ratio: inch =  $\frac{mm}{25.4}$ ; pounds =  $\frac{g}{453.6}$  =  $\frac{Kg}{0.4536}$

GAS - NPT thread adapters available at page 1.117



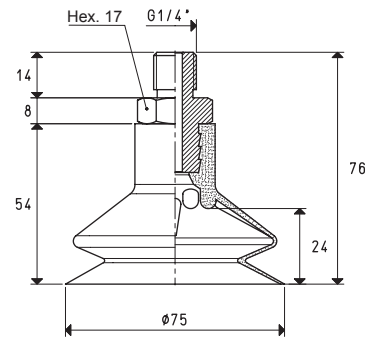
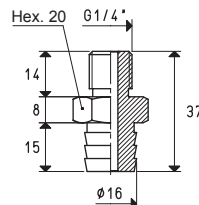
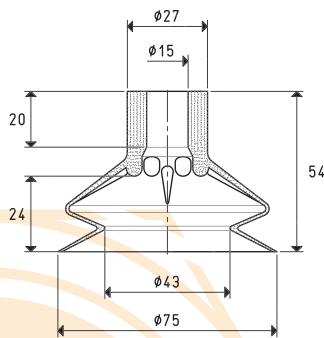
Cup Art.	Force Kg	Support Art.	Support material	Weight g	Cup with support Art.	Weight g
01 56 30 *	6.15	00 08 127	aluminium	11.5	08 56 30 *	28.5

\* Complete the code indicating the compound: A= oil-resistant rubber; N= natural para rubber; S= silicon



Cup Art.	Force Kg	Support Art.	Support material	Weight g	Cup with support Art.	Weight g
01 75 30 *	11.04	00 08 127	aluminium	11.5	08 75 30 *	48.1

\* Complete the code indicating the compound: A= oil-resistant rubber; N= natural para rubber; S= silicon



Cup Art.	Force Kg	Support Art.	Support material	Weight g	Cup with support Art.	Weight g
01 75 31 *	11.04	00 08 09	aluminium	18.1	08 75 31 *	54.7

\* Complete the code indicating the compound: A= oil-resistant rubber; N= natural para rubber; S= silicon

$$\text{Conversion ratio: inch} = \frac{\text{mm}}{25.4}; \text{ pounds} = \frac{\text{g}}{453.6} = 0.4536$$

GAS-NPT thread adapters available at page 1.117