

Version	Symbol	Type
With cross outlets		RX
With outlets on one side		RY
With outlets on both sides		RZ
With push-in fitting outlets on one side		RR

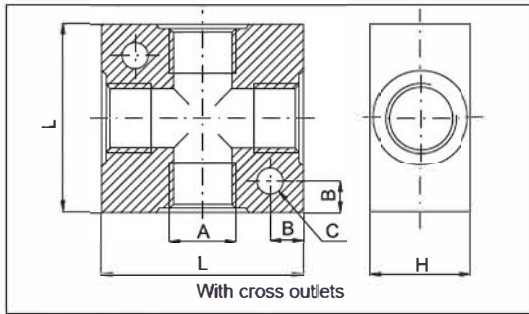


Series of anodised aluminium collectors available in various configurations and with female threaded outlets (1/8" and 1/4") or with integral 4- 6- 8- 10 mm push-in fittings.

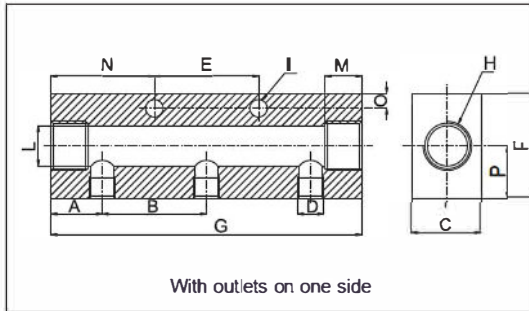
Standard connections		
Type	Inlets	Outlets
RX	1/8"	1/8"
	1/4"	1/4"
	3/8"	3/8"
	1/2"	1/2"
RY	1/4"	1/8"
	3/8"	1/4"
RZ	1/4"	1/8"
	3/8"	1/4"
RR	1/4"	Ø external 4 mm
	1/4"	Ø external 6 mm
	3/8"	Ø external 8 mm
	3/8"	Ø external 10 mm

For standard items, codes and dimensions see tables at page 4.60.2.

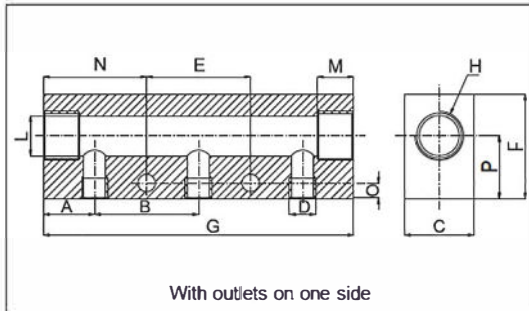
Technical data	
Fluid	Compressed air and other fluid
Pressure range	RX, RY, RZ: Always higher than the ones used in pneumatic installations. RR: max 12 bar.
Temperature range	See the data of the tubes and the fittings used.
Parallel threads	UNI - ISO 228/1 (BSP)
Connection tubes (per RR)	Calibrated nylon, polyurethane and rilsan
Tubes tolerances	± 0,05 mm
Materials	Body: Anodised aluminium For fittings data in the RR type see page 4.5.1.



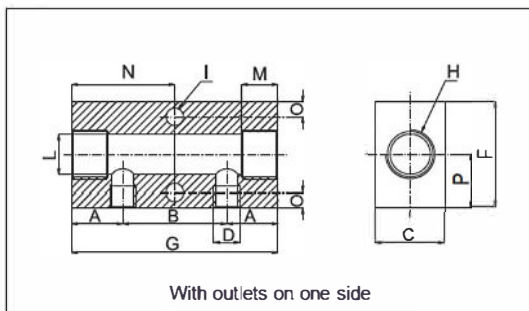
Code	Item	A	L	B	C	H
024501	RX8	1/8"	25	4,3	4,5	16
024502	RX4	1/4"	40	6,5	5,5	20
024503	RX3	3/8"	40	7,5	5,5	25
024504	RX2	1/2"	50	7,5	5,5	30



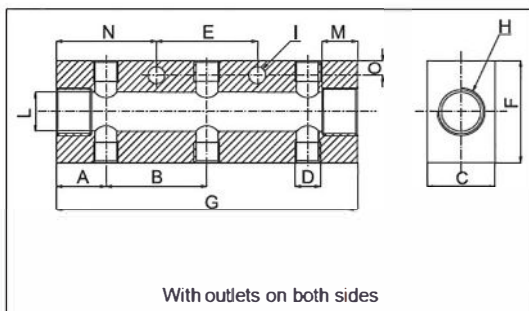
Code	Item	A	B	C	D	E	F	G	H	I	L	M	N	O	P	N° of side holes
024521	RY1	15	30	20	1/8"	30	30	90	1/4"	5,5	10	9,5	30	5	15	3
024522	RY2	15	30	20	1/8"	60	30	120	1/4"	5,5	10	9,5	30	5	15	4
024523	RY3	15	30	20	1/8"	90	30	150	1/4"	5,5	10	9,5	30	5	15	5
024524	RY4	15	30	20	1/8"	120	30	180	1/4"	5,5	10	9,5	30	5	15	6



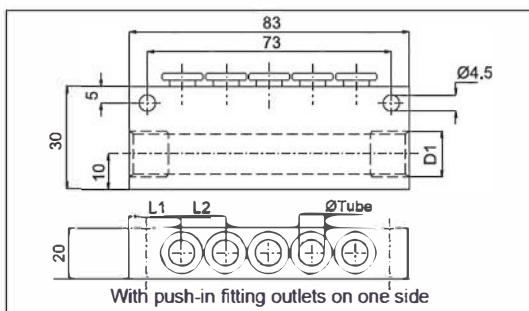
Code	Item	A	B	C	D	E	F	G	H	I	L	M	N	O	P	N° of side holes
024525	RY5	18	36	20	1/4"	36	30	108	3/8"	6,5	12	10,5	36	6	19	3
024526	RY6	18	36	20	1/4"	72	30	144	3/8"	6,5	12	10,5	36	6	19	4
024527	RY7	18	36	20	1/4"	108	30	180	3/8"	6,5	12	10,5	36	6	19	5
024528	RY8	18	36	20	1/4"	144	30	216	3/8"	6,5	12	10,5	36	6	19	6



Code	Item	A	B	C	D	F	G	H	I	L	M	N	O	P	N° of side holes
024529	RY9	15	30	20	1/8"	30	60	1/4"	6,5	10	9,5	30	6	15	2

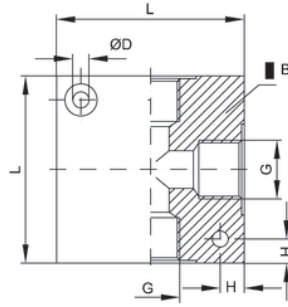


Code	Item	A	B	C	D	E	F	G	H	I	L	M	N	O	N° of side holes
024551	RZ1	16	30	20	1/8"	0	30	62	1/4"	6,5	10	9,5	31	6	2+2
024552	RZ2	15	30	20	1/8"	30	30	90	1/4"	5,5	10	9,5	30	5	3+3
024553	RZ3	15	30	20	1/8"	60	30	120	1/4"	5,5	10	9,5	30	5	4+4
024554	RZ4	15	30	20	1/8"	90	30	150	1/4"	5,5	10	9,5	30	5	5+5
024555	RZ5	18	36	20	1/4"	28	40	72	3/8"	6,5	12	10,5	36	6	2+2
024556	RZ6	18	36	20	1/4"	36	40	108	3/8"	6,5	12	10,5	36	6	3+3
024557	RZ7	18	36	20	1/4"	72	40	144	3/8"	6,5	12	10,5	36	6	4+4
024558	RZ8	18	36	20	1/4"	108	40	180	3/8"	6,5	12	10,5	36	6	5+5



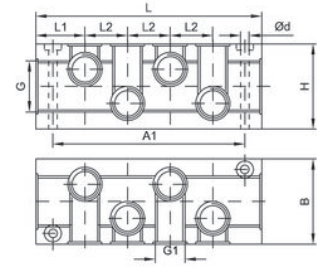
Code	Item	D1	L1	L2	Est. tube Ø	N° of outlets
024570	RR46	1/4"	14	11	4	6
024571	RR65	1/4"	15,5	13	6	5
024572	RR84	3/8"	17,5	16	8	4

## Aluminium cross manifold



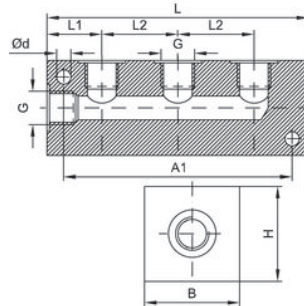
	G	ØD	B	H	L
<b>60402</b>	G1/8	4,5	15	4	25
<b>60403</b>	G1/4	5,5	20	7	40
<b>60404</b>	G3/8	5,5	25	8	50
<b>60405</b>	G1/2	5,5	30	8	50

## Through-going block



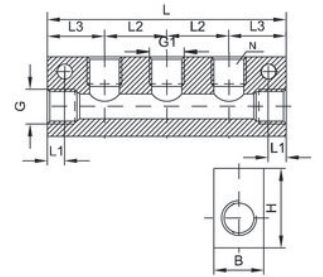
	G	G1	B	H	L	L1	L2	A1	Ød
<b>60311</b>	G1/4	M5	32	25	65	17,5	10	50	4,4
<b>60312</b>	G3/8	G1/8	40	30	114	22,5	23	100	6,5
<b>60313</b>	G1/2	G1/4	50	35	144	28,5	29	128	6,5
<b>60314</b>	G3/4	G1/2	60	45	170	31	36	150	8,5

## 3-connection block



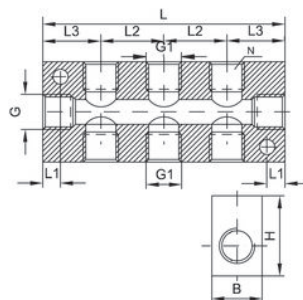
	G	H	B	L	L1	L2	A1	Ød
<b>12900</b>	M5	15	15	40	10	10	32	3,4
<b>12901</b>	G1/8	20	20	56	13,5	17	46	4,4
<b>12902</b>	G1/4	30	30	89	20	29	74	6,4
<b>12903</b>	G3/8	40	30	85	20	26	72	6,4
<b>12904</b>	G1/2	40	30	105	25	32	90	6,4

## Through-going block



	G	G1	B	H	L1	L2	L3	L	N
<b>60411</b>	G1/4	G1/8	20	30	4,5	18	18	54	2
<b>60412</b>	G1/4	G1/8	20	30	4,5	18	18	72	3
<b>60413</b>	G1/4	G1/8	20	30	4,5	18	18	90	4
<b>60414</b>	G1/4	G1/8	20	30	4,5	18	18	108	5
<b>60415</b>	G3/8	G1/4	25	40	8,5	24	22	68	2
<b>60416</b>	G3/8	G1/4	25	40	8,5	24	22	92	3
<b>60417</b>	G3/8	G1/4	25	40	8,5	24	22	116	4
<b>60418</b>	G3/8	G1/4	25	40	8,5	24	22	140	5

## Through-going block



	G	G1	B	H	L1	L2	L3	L	N
<b>61411</b>	G1/4	G1/8	20	30	4,5	18	18	54	2+2
<b>61412</b>	G1/4	G1/8	20	30	4,5	18	18	72	3+3
<b>61413</b>	G1/4	G1/8	20	30	4,5	18	18	90	4+4
<b>61414</b>	G1/4	G1/8	20	30	4,5	18	18	108	5+5
<b>61415</b>	G3/8	G1/4	25	40	8,5	24	22	68	2+2
<b>61416</b>	G3/8	G1/4	25	40	8,5	24	22	92	3+3
<b>61417</b>	G3/8	G1/4	25	40	8,5	24	22	116	4+4
<b>61418</b>	G3/8	G1/4	25	40	8,5	24	22	140	5+5