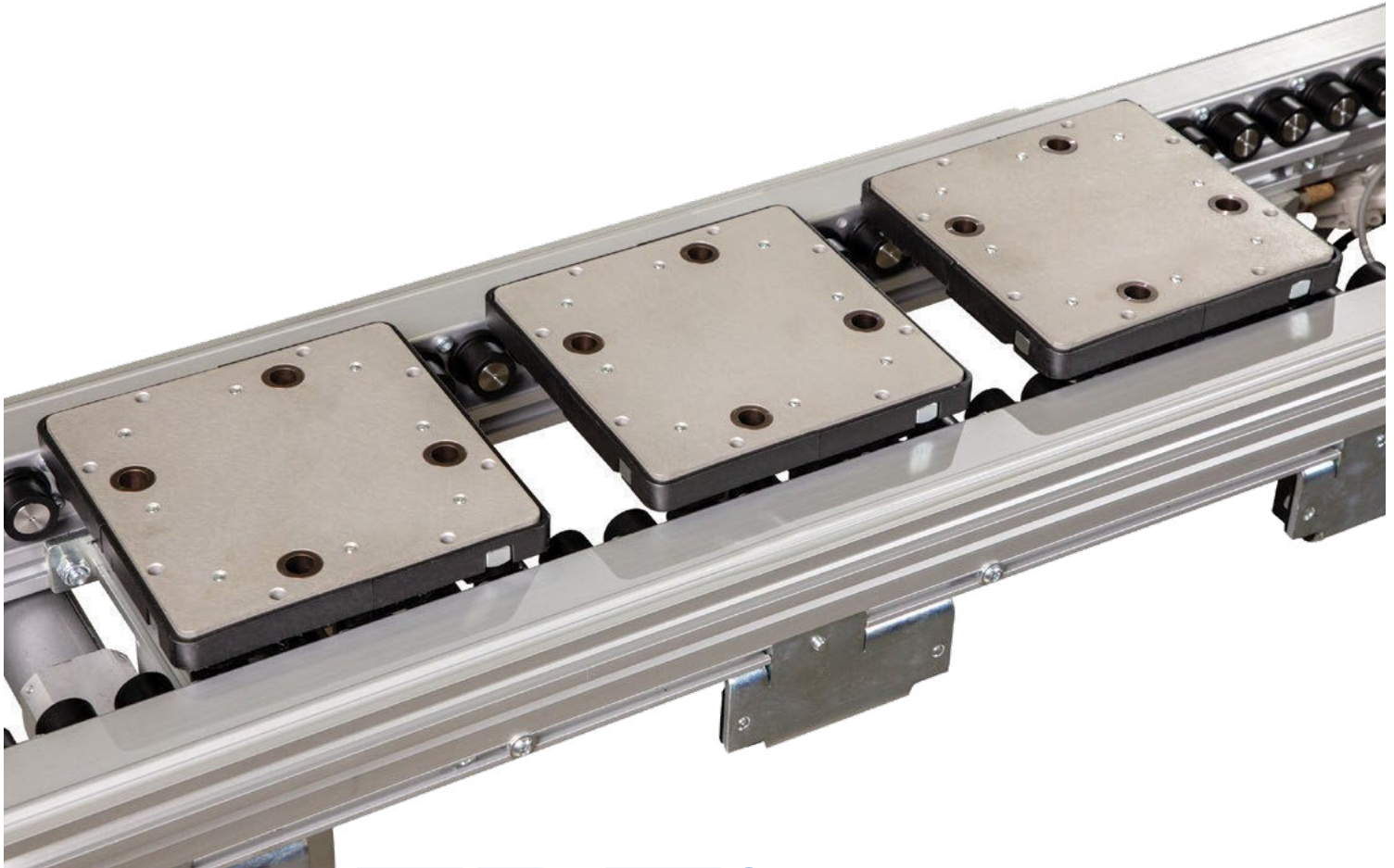


Small & Light-Load
Assembly Automation

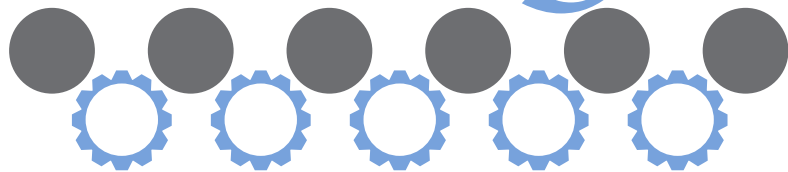
ISO Class 4 Verified
for Cleanrooms

Efficient, Non-Contact
Zoning

Clean, Open Roller
Design



ERT[®] 150



Edge Roller Technology

Precision Edge Roller Pallet &
Tray Handling Conveyors

DORNER[®]

ERT150 Conveyors are best for:

- Pallet & Tray Handling
- No & Low Back Pressure Accumulation
- Cleanroom Applications
- Small and Light-Load Assembly Automation
- Medical Product Manufacturing
- Packaging
- Medical Device Manufacturing
- Electronic & Consumer Goods Assembly

Sizes & Measurements

- Width from 80 mm to 480 mm
- Lengths from 128 mm to 2432 mm (in 64 mm increments)
- 24 mm diameter rollers on 32 mm centers

Slip & Driven Rollers



Driven Roller



Slip Roller

Slide Rail Options

Aluminum frame with two T-slot options



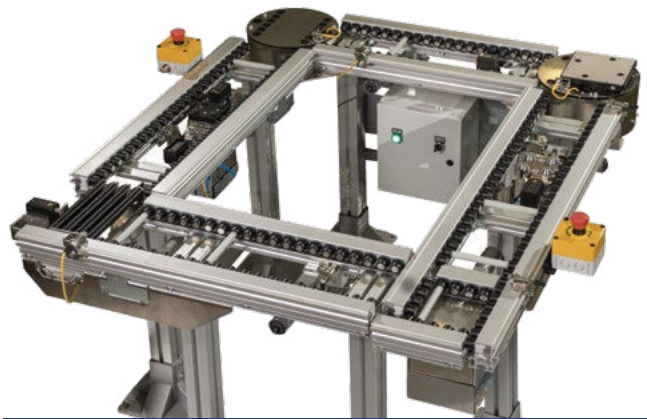
T-slot Rail



Flush Side Rail (Cleanroom)

Loads & Speeds

- Loads: up to 16 kg (35 lbs) per pallet or tray
- Speeds: up to 37 m/min (121 ft/min)



Pallets

- 160 mm to 320 mm pallets
- Static conductive HPDE skirt
- Proximity sensor pick-up on side and bottom
- Dimensionally compatible with industry standards



Modules



Lift & Locate



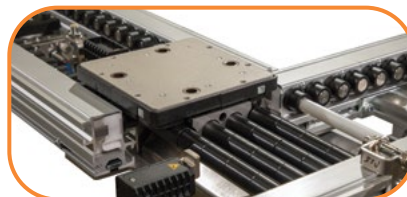
Lift & Rotate



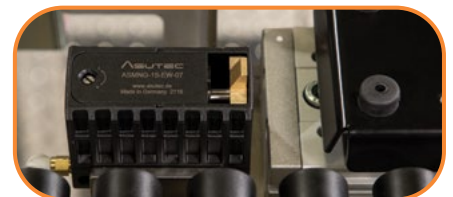
Lift & Transfer



Turn & Transfer



Pallet Pusher



Pallet Stops

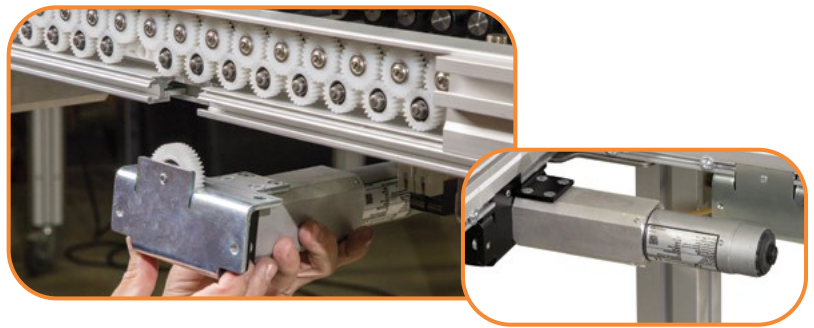
Zone & Slip Roller Technology

- Non-contact zone control provides simplified traffic control, eliminating pallet stops and costly pneumatic valves
- Low back pressure slip rollers can be used for full length with conventional pneumatic pallet stops
- Individual rollers can be replaced if damaged without affecting the remaining portion of the conveyor
- No belts, reducing product contact and debris



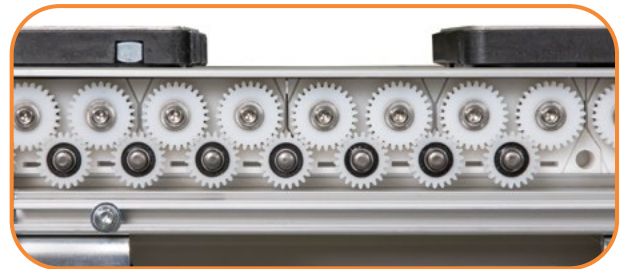
Easily Reconfigurable

- Gears and drive shaft can be repositioned in the field
- Lower gears can be removed and gearmotor added to create new zones
- The drive shaft can be moved to any roller zone



Patent Pending Gearbox Drive Design

- Durable, patent pending linear gearbox design provides a robust and flexible method of driven rollers
- Brushless DC gearmotors and controllers
- Reversible motors for assembly automation
- 50 watt, 3.0 amp, low voltage brushless DC motors are used to save space and provide improved efficiency
- All motor controllers are Ethernet IP, Modbus TCP or PROFINET for ease of control logic, wiring and communication



The Benefits of a Dorner ERT[®]150 Conveyor

Industry Ready

- Reliable and adaptable edge roller platform for the conveyance of medical and cleanroom-based product assembly
- Versatile and durable low back pressure platform for the conveyance of appliance, electronics, automotive and consumer goods product assembly
- Open drive roller design with aluminum frames
- ISO Class 4 verified for cleanroom applications

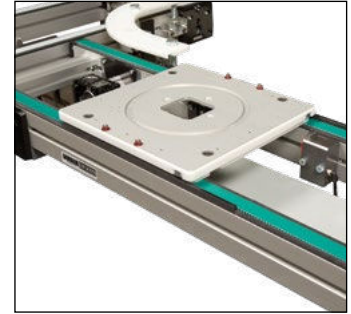
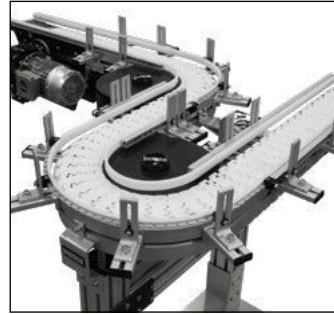
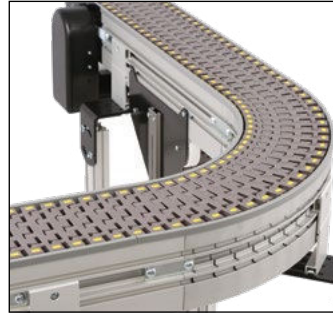
Simple & Effective Design

- Non-contact zoning and/or slip roller accumulation capability
- Patent pending linear gearbox technology
- Designed for configuration and modifications in the field
- Variety of automation modules for product traffic control

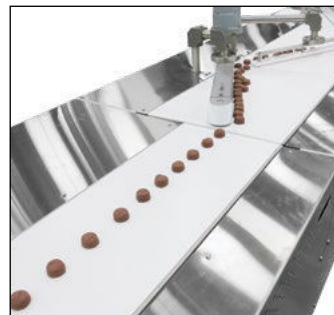
Safe & Efficient

- Non-jamming; open drive rollers reduce pinch points
- Low-voltage motors are designed to reduce power consumption

Industrial & Automation Conveyors



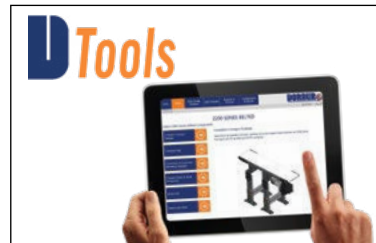
Sanitary Conveyors



Parts



Service



Online Configurator



Warranty