

Main features

Code	Item	Size	Function	Symbol
090271	A18RP01-2	1/8"	Precision regulator	
090274	A14RP01-2	1/4"		
090277	A12RP01-2	1/2"		



Technical data

Type	A18RP01-2	A14RP01-2	A12RP01-2
Size	1/8"	1/4"	1/2"
Fluid	Compressed air		
Maximum inlet pressure	10 bar		
Pressure regulation range	0,1 ÷ 2 bar (standard)	0,1 ÷ 4 bar (01-4)	0,1 ÷ 8 bar (01-8)
Temperature range	0°C ÷ +60°C		
Pressure regulator	Piston		
Overpressure relief	Relieving		Relieving + threaded exhaust (1/2")
Gauges port	1/8"		
Weight	150	330	680

Matching note

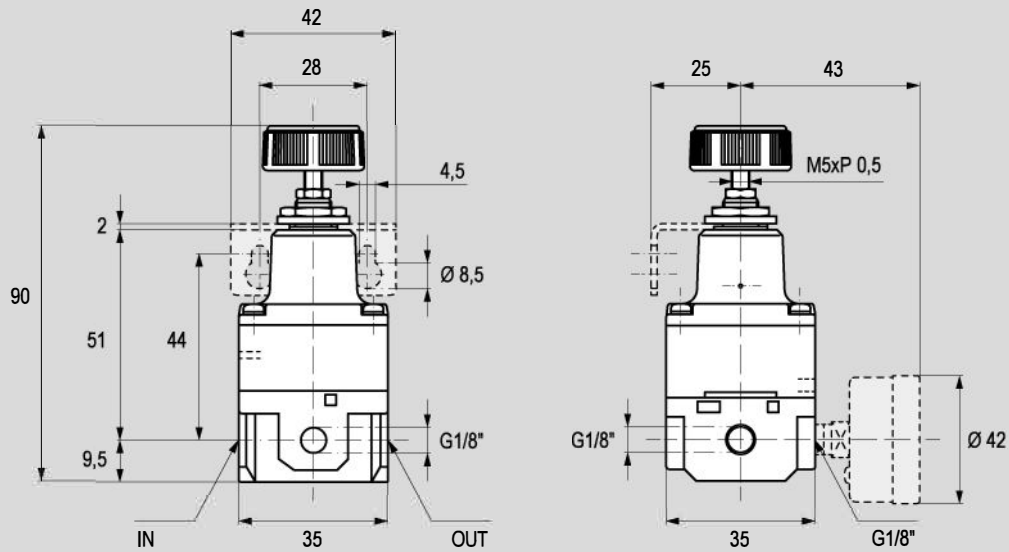
Size 1/8" can be mounted in combination with modular component size 1/4" only.
 Size 1/4" can be mounted in combination with modular component size 3/8" only.
 Size 1/2" can be mounted in combination with modular component size 1/2" only.

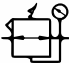
Notes

Spacers and mounting brackets to be ordered separately, see page 3.2.300
 Pressure-gauges to be ordered separately, see from page 3.30.1

Standard dimensions

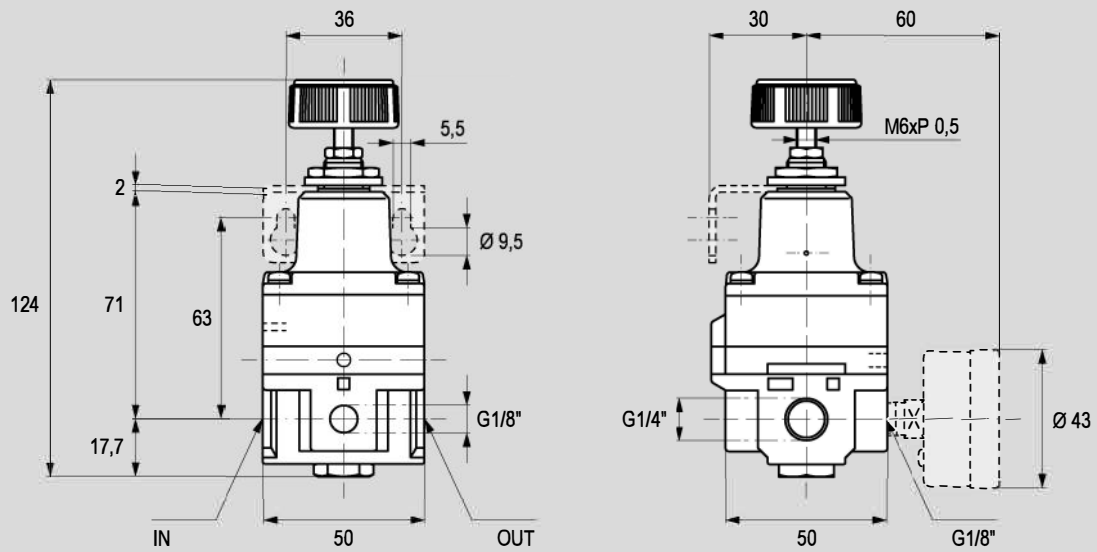
Type: **A18RP01-2**

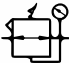


Size	Function	Symbol	Code	Item
1/8"	Precision regulator		090271	A18RP01-2

Standard dimensions

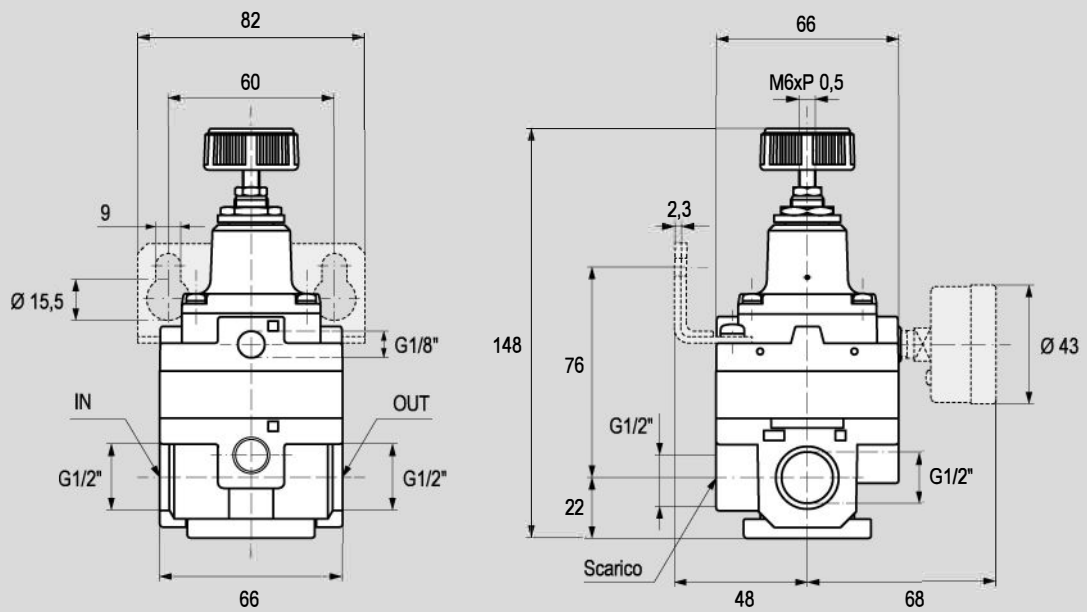
Type: **A14RP01-2**



Size	Function	Symbol	Code	Item
1/4"	Precision regulator		090274	A14RP01-2

Standard dimensions

Type: **A12RP01-2**



Size	Function	Symbol	Code	Item
1/2"	Precision regulator		090277	A12RP01-2