

## At A Glance

- Protection: Secondary
- Feed Type: Gravity
- Material Type: NdFeb
- Cleaning Type: Manual

**High intensity grids are very versatile and can be used in most powder, granulate and liquid applications for the removal of ferrous and para-magnetic contamination down to sub-micron size.**

These units can be manufactured to any size and with any number of rods to meet most application requirements.

The grids' low profile side frame means they can be installed into existing chute work or machinery where height is restricted.

Grids are of particular interest to OEMs who wish to incorporate them into their machinery with the minimal amount of redesign.



## Benefits

- Simple to install
- Removes micron sized contaminants
- Reduces 'spark' risk
- Meets audit requirements

## Performance

Magnetic Performance	7000, 9000, 11000 and 12000 Gauss
Performance Reading	On tube surface
Magnet Grade	N35 & N45 – Inspected and confirmed via hysteresograph prior to use
Temperature	-20°C / +90°C

## Suitability

Suitable Products	Dry powders and granulates
Suitable Location	Vertical or angled process lines

## Materials

Magnetic Material	Rare Earth Neodymium Iron Boron - (NdFeb)
Tubing	316 grade stainless steel
Other Parts	316 grade stainless steel
Surface Finish	Polished to 0.6µm

## Cleaning

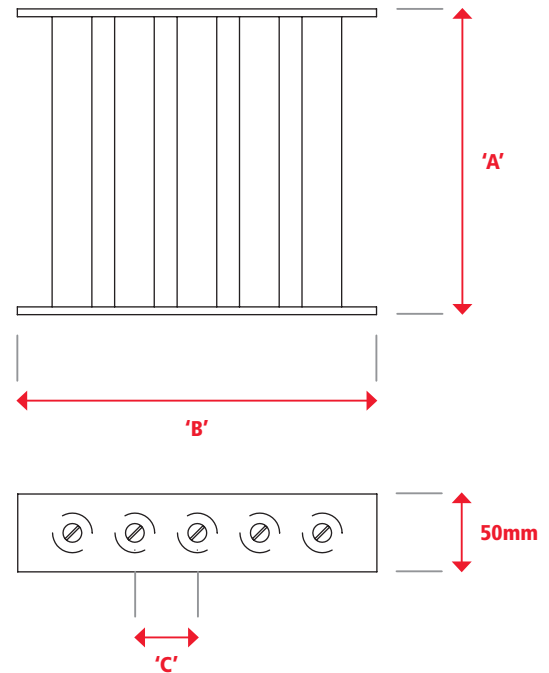
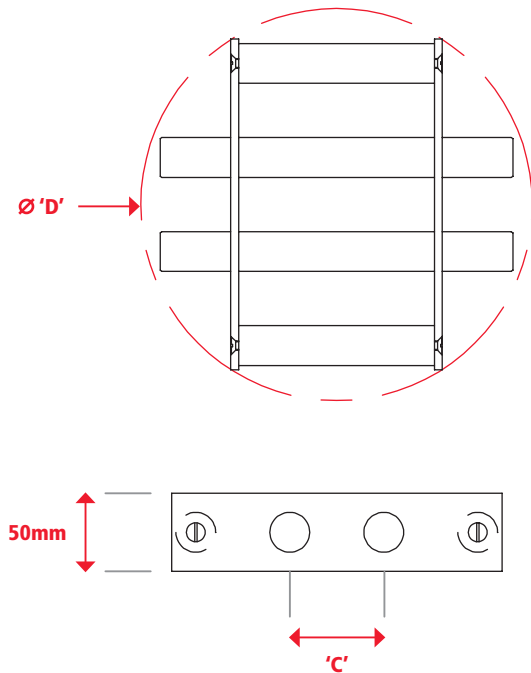
Due to the high intensity magnetic field and simple design, fixed grids require more effort to clean than the Eclipse Magnetics 'easy clean' design. Remove the grid from its process position and push the contamination down each rod. This will release the majority of all attracted contamination.

## Options

- Pharmaceutical specification
- Larger sizes available
- Higher temperature versions available

# Circular / Square Grid

AVS



Part Number (Circular)	Diameter (mm)	Centres C (mm)	Number Of Rods	Weight (kg)
CG100	100	45	2	1.2
CG150	150	50	3	1.5
CG200	200	60	3	2.2
CG250	250	60	4	3.7
CG300	300	60	5	5.0
CG350	350	60	6	7.0
CG400	400	60	7	9.5
CG450	450	60	7	14
CG500	500	60	8	17
CG550	550	60	9	20
CG600	600	60	10	24

Part Number (Square)	A (mm)	B (mm)	C (mm)	Number Of Rods	Weight (kg)
GM1515	150	150	60	2	3.2
GM2020	200	200	60	3	3.8
GM2525	250	250	55	4	6.2
GM3030	300	300	55	5	8.0
GM3535	350	350	55	6	11.0
GM4040	400	400	55	7	14.8
GM4545	450	450	55	8	19.2
GM5050	500	500	55	9	21.0
GM5555	550	550	55	10	23
GM6060	600	600	55	11	27

For non-standard sizes, please contact [sales@eclipsemagnetics.com](mailto:sales@eclipsemagnetics.com)