

AVS



GOYEN MECLAIR

MANIFOLD MOUNT ROUND VALVE KITS

CLEAN AIR SOLUTIONS

AVS Danmark ApS • Skelvej 18 • 2640 Hedehusene • +45 46 56 43 43 • www.avsdanmark.dk

 **PENTAIR**

MECAIR

3/4" VALVE FOR 5" TANK & 1" VALVE FOR 6" TANK



PRODUCT LEAFLET

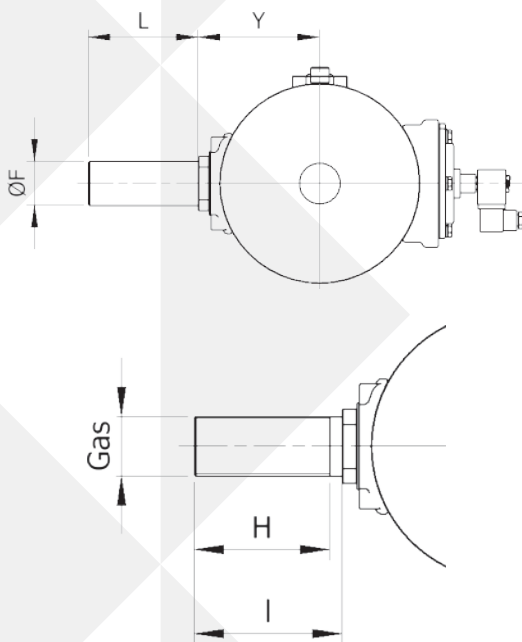
VALVE SPECIFICATIONS

TOP COVER	Diecast aluminium (anodised)
BODY	Diecast aluminium (anodised)
PILOT BASE	Aluminium (anodised)
PILOT	Stainless steel
DIAPHRAGM	Refer to options in part number code
BOLTS	Stainless steel
DIAPHRAGM BACKING DISK	Stainless steel
DIAPHRAGM SPRING	Alloy steel

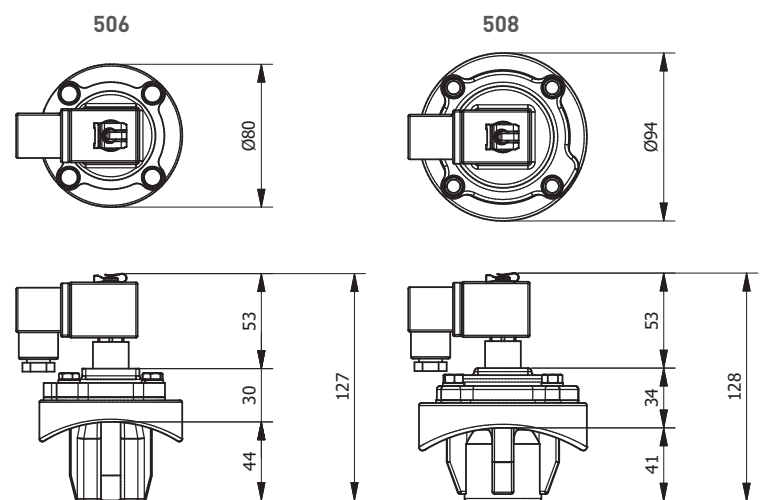


MODEL	PORT SIZE	TANK SIZE	NO. DIAPHRAGMS	PRESSURE MIN	PRESSURE MAX	KV	CV
506	3/4"	5"	1	0.5 BAR	7.5 BAR	15.1	17.5
508	1"	6"	1	0.5 BAR	7.5 BAR	26.3	30.6

BLOWTUBE SIZING



VALVE DIMENSIONS



Ø TANK	Ø F	Y	SHORT UNTHREADED	L	LONG UNTHREADED	L	LONG THREADED	Ø G GAS	H	I
DN5"	26.7	93	TS506	60	TL506	80	TF506	3/4"	70	80
DN6"	33.4	106	TS508	60	TL508	100	TF508	1"	90	100

MECAIR

3/4" VALVE FOR 5" TANK & 1" VALVE FOR 6" TANK



PRODUCT LEAFLET

PRODUCT ORDERING CODE

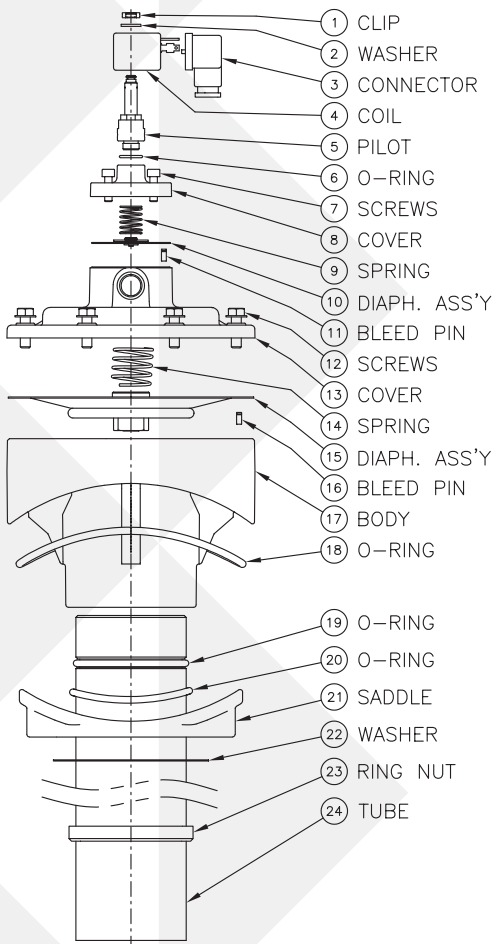
KF 506 - 1 2 0 - 203 - TL 0

Product Type KF Full immersion kit	Blowpipe Material 0 Carbon steel + cataphoresis 1 Stainless steel - 304L 2 Stainless steel - 316L
Valve Size & Tank 506 3/4" single-stage valve, 5" tank 508 1" single-stage valve, 6" tank	Blowpipe Type & Size TS Short unthreaded TL Long unthreaded TF Long threaded <small>* See sizing table on previous page.</small>
Pilot Size 1 1/4"	Pilot Type Remote pilot - Leave blank. Integrally piloted - See solenoid ordering code on the last page.
Pilot & Secondary Exhaust Thread 2 G	Diaphragm Material 0 Nitrile [-20°C to +80°C] 1 Viton [-30°C to +200°C]

NOTE: Other configurations may be available upon request.

NOTE: If integrally piloted, see the solenoid section on the last page for solenoid temperature ratings.

FULL IMMERSION KIT EXPLODED VIEW



PRODUCT KIT PART NUMBERS

NAME & DESCRIPTION	COMPONENTS	PART NUMBER
FI Kit - Pilot, Blowpipe & Single Stage Valve	1, 2, 3, 4, 5, 6, 12, 13, 14+, 15, 16, 17, 18, 19, 20, 21, 22, 23, 24	Refer to product ordering code.
FI Kit - Blowpipe & Single Stage Valve	12, 13, 14+, 15, 16, 17, 18, 19, 20, 21, 22, 23, 24	
Diaphragm Kit - 506	14+, 15, 16	Nitrile: KIT DB16/G Viton: KIT DB16V/S
Diaphragm Kit - 508	14+, 15, 16	Nitrile: KIT DB18/G Viton: KIT DB18V/S
Full Immersion Gasket Kit (5PCS)	18, 19, 20, 22	5" Tank - KOR506- X* 6" Tank - KOR508- X*
Remote Top Section Kit - Single Stage Valve	12, 13, 14, 15, 16	3/4" Valve - KV506- YZX 1" Valve - KV508- YZX
Blowpipe Kit	19, 20, 21, 22, 23, 24	5" Tank - KB506- X*-WWU 6" Tank - KB508- X*-WWU
PV Pilot Kit (KIT PV)	1, 2, 3, 4, 5, 6	See Solenoid kit part numbers on the last page.
Coil Connector (KIT PLG)	3	
SB Coil Kit (KIT SB)	1, 2, 4	
Pilot Valve Kit (KIT CP)	1, 2, 5, 6	

Part Number Key (Refer product code above)

- **X** - See "Diaphragm Material" (* Use diaphragm material codes to select gasket material)
- **Y** - See "Pilot Size"
- **Z** - See "Pilot & Secondary Exhaust Thread"
- **W** - See "Blowpipe Type & Size"
- **U** - See "Blowpipe Material"
- **+** - Spring only comes with the Viton version

GOYEN MECAIR

1½" VALVES FOR 6" & 8" TANKS



PRODUCT LEAFLET

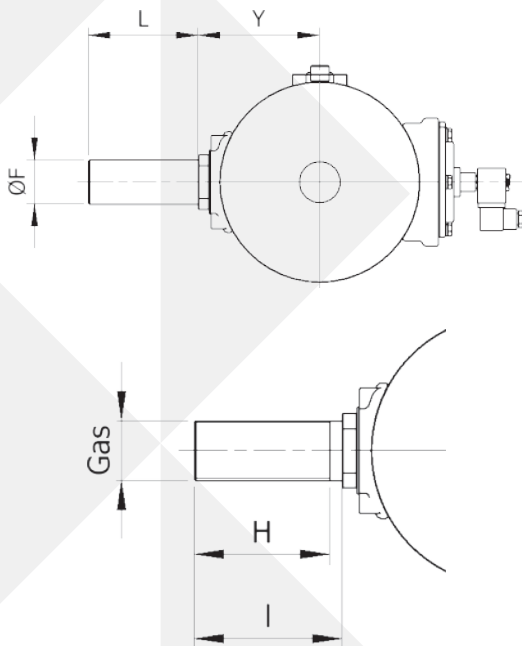
VALVE SPECIFICATIONS

TOP COVER	Diecast aluminium (E-coat black)
BODY	Diecast aluminium (E-coat black)
PILOT BASE	Aluminium (anodised)
PILOT	Stainless steel
DIAPHRAGM	Refer to options in part number code
BOLTS	Stainless steel
DIAPHRAGM BACKING DISK	Stainless steel
DIAPHRAGM SEAT	Nylon (standard)
DIAPHRAGM SPRING	Stainless steel

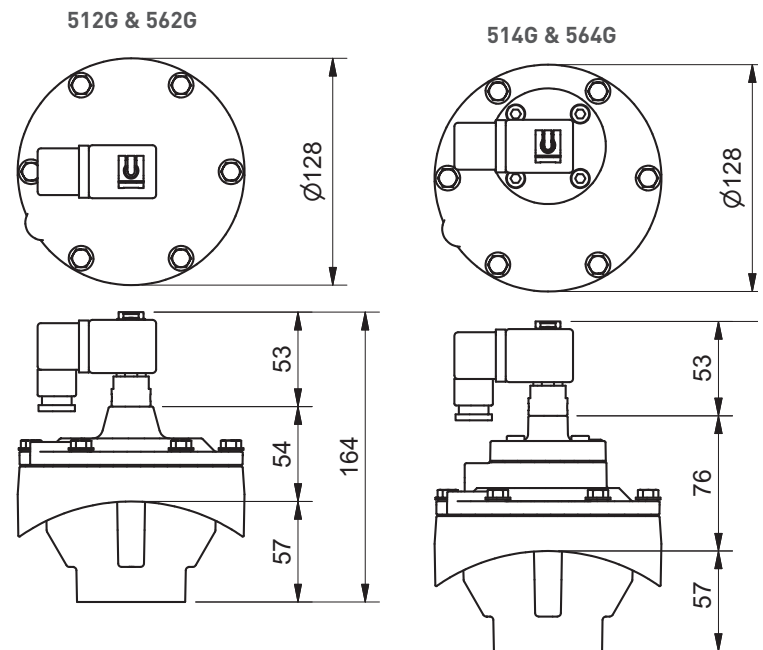


MODEL	PORT SIZE	TANK SIZE	No. DIAPHRAGMS	PRESSURE MIN	PRESSURE MAX	KV	CV
512G	1½"	8"	1	1 BAR	8.6 BAR	51	59
514G	1½"	8"	2	1 BAR	8.6 BAR	52	60
562G	1½"	6"	1	1 BAR	8.6 BAR	51	59
564G	1½"	6"	2	1 BAR	8.6 BAR	52	60

BLOWTUBE SIZING



VALVE DIMENSIONS



Ø TANK	Ø F	Y	SHORT UNTHREADED	L	LONG UNTHREADED	L	LONG THREADED	Ø G GAS	H	I
DN6"	48.3	106	TS564	60	TL564	120	TF564	1½"	110	120
DN8"	48.3	131	TS514	60	TL514	120	TF514	1½"	110	120

APPROVALS

514G120/564G120 – CRN: 0C18438.56

GOYEN MECAIR

1½" VALVES FOR 6" & 8" TANKS

PRODUCT LEAFLET



PRODUCT ORDERING CODE

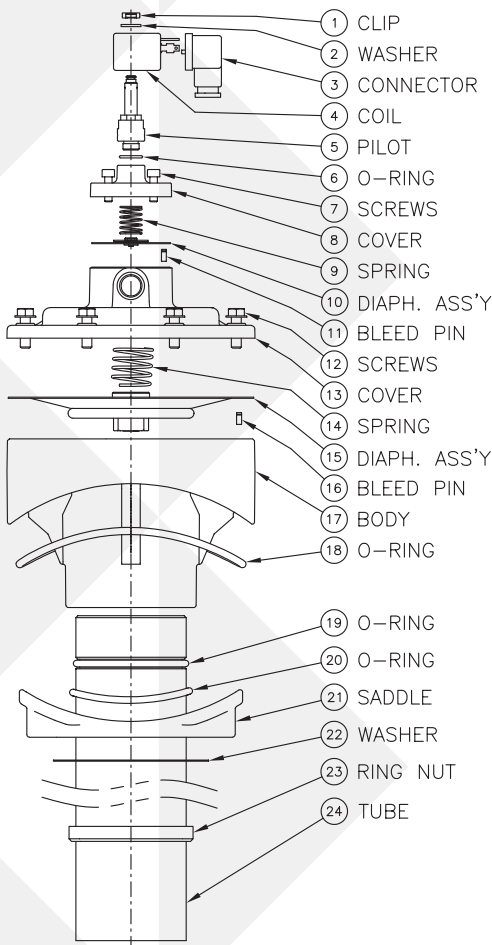
KF 512G 120 - 203 - TL 0

Product Type KF Full immersion kit Valve Size & Tank 512G 1½" single-stage valve, 8" tank 514G 1½" double-stage valve, 8" tank 562G 1½" single-stage valve, 6" tank 564G 1½" double-stage valve, 6" tank Pilot Size 1 ¼" Pilot & Secondary Exhaust Thread 2 G	Blowpipe Material 0 Carbon steel + cathoporesis 1 Stainless steel – 304L 2 Stainless steel – 316L Blowpipe Type & Size TS Short unthreaded TL Long unthreaded TF Long threaded <small>* See sizing table on previous page.</small> Pilot Type Remote pilot – Leave blank. Integrally piloted – See solenoid ordering code on the last page. Diaphragm Material 0 Nitrile [–40°C to +82°C] 1 Viton [–29°C to +232°C] 4 Low temp, nitrile membrane, polyethylene seat [–60°C to +82°C]
--	--

NOTE: Other configurations may be available upon request.

NOTE: If integrally piloted, see the solenoid section on the last page for solenoid temperature ratings.

FULL IMMERSION KIT EXPLODED VIEW



PRODUCT KIT PART NUMBERS

NAME & DESCRIPTION	COMPONENTS	PART NUMBER
FI Kit – Pilot, Blowpipe & Single Stage Valve	1, 2, 3, 4, 5, 6, 12, 13, 14, 15, 16, 17, 18, 19, 20, 21, 22, 23, 24	Refer to product ordering code.
FI Kit – Pilot, Blowpipe & Double Stage Valve	1, 2, 3, 4, 5, 6, 7, 8, 9, 10, 11, 12, 13, 14, 15, 16, 17, 18, 19, 20, 21, 22, 23, 24	
FI Kit – Blowpipe & Single Stage Valve	12, 13, 14, 15, 16, 17, 18, 19, 20, 21, 22, 23, 24	
FI Kit – Blowpipe & Double Stage Valve	7, 8, 9, 10, 11, 12, 13, 14, 15, 16, 17, 18, 19, 20, 21, 22, 23, 24	
Diaphragm Kit – Single Stage Valve	14, 15, 16	KD512GX
Diaphragm Kit – Double Stage Valve	9, 10, 11, 14, 15, 16	KD514GX
Full Immersion Gasket Kit (5PCS)	18, 19, 20, 22	6" Tank – KOR564GX* 8" Tank – KOR514GX*
Remote Top Section Kit – Single Stage Valve	12, 13, 14, 15, 16	KV512GYZX
Remote Top Section Kit – Double Stage Valve	7, 8, 9, 10, 11, 12, 13, 14, 15, 16	KV514GYZX
Blowpipe Kit	19, 20, 21, 22, 23, 24	6" Tank – KB564GX* WWU 8" Tank – KB514GX* WWU
PV Pilot Kit (KIT PV)	1, 2, 3, 4, 5, 6	See Solenoid kit part numbers on the last page.
Coil Connector (KIT PLG)	3	
SB Coil Kit (KIT SB)	1, 2, 4	
Pilot Valve Kit (KIT CP)	1, 2, 5, 6	

Part Number Key (Refer product code above)

- X – See "Diaphragm Material" (* Use diaphragm material codes to select gasket material)
- Y – See "Pilot Size"
- Z – See "Pilot & Secondary Exhaust Thread"
- W – See "Blowpipe Type & Size"
- U – See "Blowpipe Material"

GOYEN MECAIR

2" VALVES FOR 8" & 10" TANKS

PRODUCT LEAFLET

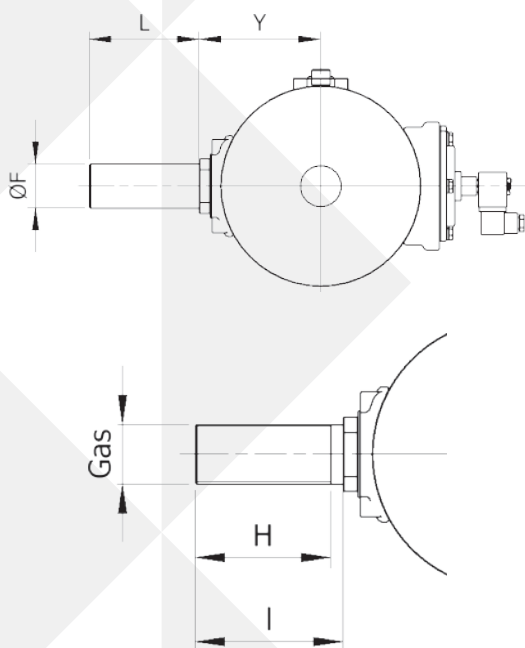
VALVE SPECIFICATIONS

TOP COVER	Diecast aluminium (E-coat black)
BODY	Diecast aluminium (E-coat black)
PILOT BASE	Aluminium (anodised)
PILOT	Stainless steel
DIAPHRAGM	Refer to options in part number code
BOLTS	Stainless steel
DIAPHRAGM BACKING DISK	Stainless steel
DIAPHRAGM SEAT	Nylon (standard)
DIAPHRAGM SPRING	Stainless steel

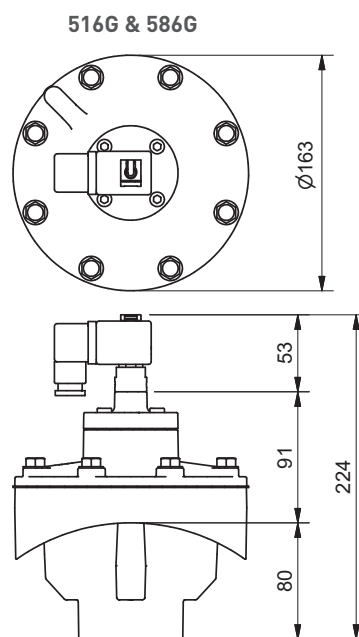


MODEL	PORT SIZE	TANK SIZE	No. DIAPHRAGMS	PRESSURE MIN	PRESSURE MAX	KV	CV
516G	2"	10"	2	1 BAR	8.6 BAR	76	88
586G	2"	8"	2	1 BAR	8.6 BAR	76	88

BLOWTUBE SIZING



VALVE DIMENSIONS



Ø TANK	Ø F	Y	SHORT UNTHREADED	L	LONG UNTHREADED	L	LONG THREADED	Ø G GAS	H	I
DN8"	60.3	133	TS586	60	TL586	120	TF586	2"	110	120
DN10"	60.3	158	TS516	60	TL516	140	TF516	2"	130	140

APPROVALS

516G120/586G120 – CRN: 0C229335.5

GOYEN MECAIR

2" VALVES FOR 8" & 10" TANKS



PRODUCT LEAFLET

PRODUCT ORDERING CODE

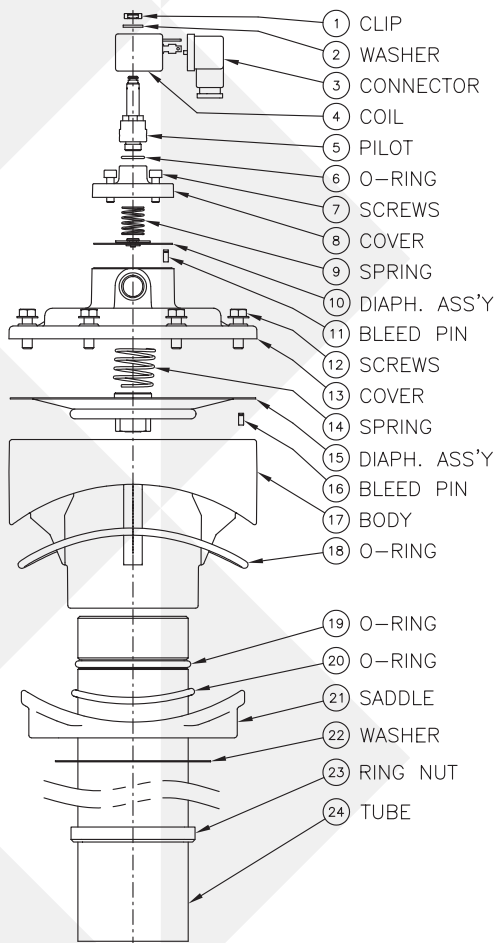
KF 516G 1 2 0 - 203 - TL 0

Product Type KF Full immersion kit Valve Size & Tank 516G 2" double-stage valve, 10" tank 586G 2" double-stage valve, 8" tank Pilot Size 1 1/4" Pilot & Secondary Exhaust Thread 2 G	Blowpipe Material 0 Carbon steel + cataphoresis 1 Stainless steel - 304L 2 Stainless steel - 316L Blowpipe Type & Size TS Short unthreaded TL Long unthreaded TF Long threaded <small>* See sizing table on previous page.</small> Pilot Type Remote pilot - Leave blank. Integrally piloted - See solenoid ordering code on the last page. Diaphragm Material 0 Nitrile [-40°C to +82°C] 1 Viton [-29°C to +232°C] 4 Low temp, nitrile membrane, polyethylene seat [-60°C to +82°C]
---	--

NOTE: Other configurations may be available upon request.

NOTE: If integrally piloted, see the solenoid section on the last page for solenoid temperature ratings.

FULL IMMERSION KIT EXPLODED VIEW



PRODUCT KIT PART NUMBERS

NAME & DESCRIPTION	COMPONENTS	PART NUMBER
FI Kit - Pilot, Blowpipe & Double Stage Valve	1, 2, 3, 4, 5, 6, 7, 8, 9, 10, 11, 12, 13, 14, 15, 16, 17, 18, 19, 20, 21, 22, 23, 24	Refer to product ordering code.
FI Kit - Blowpipe & Double Stage Valve	7, 8, 9, 10, 11, 12, 13, 14, 15, 16, 17, 18, 19, 20, 21, 22, 23, 24	
Diaphragm Kit - Double Stage Valve	9, 10, 11, 14, 15, 16	KD516GX
Full Immersion Gasket Kit (5PCS)	18, 19, 20, 22	8" Tank - KOR586GX* 10" Tank - KOR516GX*
Remote Top Section Kit - Double Stage Valve	7, 8, 9, 10, 11, 12, 13, 14, 15, 16	KV516GYZX
Blowpipe Kit	19, 20, 21, 22, 23, 24	8" Tank - KB586GX*-WWU 10" Tank - KB516GX*-WWU
PV Pilot Kit (KIT PV)	1, 2, 3, 4, 5, 6	See Solenoid kit part numbers on the last page.
Coil Connector (KIT PLG)	3	
SB Coil Kit (KIT SB)	1, 2, 4	
Pilot Valve Kit (KIT CP)	1, 2, 5, 6	

Part Number Key (Refer product code above)

- X - See "Diaphragm Material" (* Use diaphragm material codes to select gasket material)
- Y - See "Pilot Size"
- Z - See "Pilot & Secondary Exhaust Thread"
- W - See "Blowpipe Type & Size"
- U - See "Blowpipe Material"

GOYEN

2½" & 3" VALVES FOR 12" TANKS



PRODUCT LEAFLET

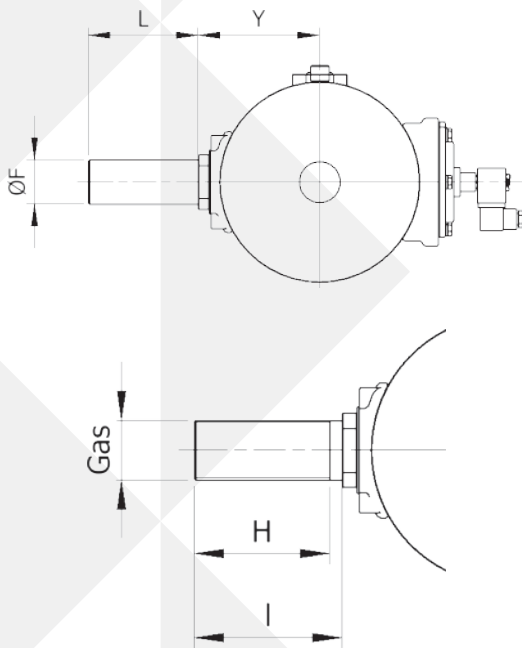
VALVE SPECIFICATIONS

TOP COVER	Diecast aluminium
BODY	Diecast aluminium
PILOT BASE	Aluminium
PILOT	Stainless steel
DIAPHRAGM	Refer to options in part number code
BOLTS	Stainless steel
DIAPHRAGM BACKING DISK	Stainless steel
DIAPHRAGM SEAT	Moulded nitrile (standard)
DIAPHRAGM SPRING	Stainless steel

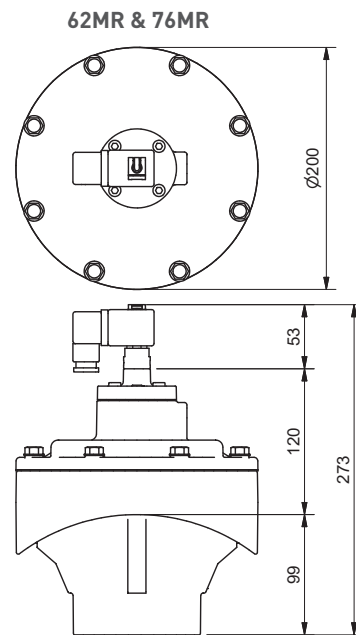


MODEL	PORT SIZE	TANK SIZE	No. DIAPHRAGMS	PRESSURE MIN	PRESSURE MAX	KV	CV
62MR	2.5"	12"	2	0.3 BAR	8.6 BAR	105.7	175.2
76MR	3"	12"	2	0.3 BAR	8.6 BAR	200	233

BLOWTUBE SIZING



VALVE DIMENSIONS



Ø TANK	Ø F	Y	SHORT UNTHREADED	L	LONG UNTHREADED	L	LONG THREADED	Ø G GAS	H	I
DN12"	76.1	187	TS520	80	TL520	140	TF520	2.5"	130	140
DN12"	88.9	187	TS524	80	TL524	140	TF524	3"	130	140

APPROVALS

76MR – CRN: 0C14096.25
 * Operating limits: 632 kPa, 80°C

GOYEN

2 1/2" & 3" VALVES FOR 12" TANKS

PRODUCT LEAFLET



PRODUCT ORDERING CODE

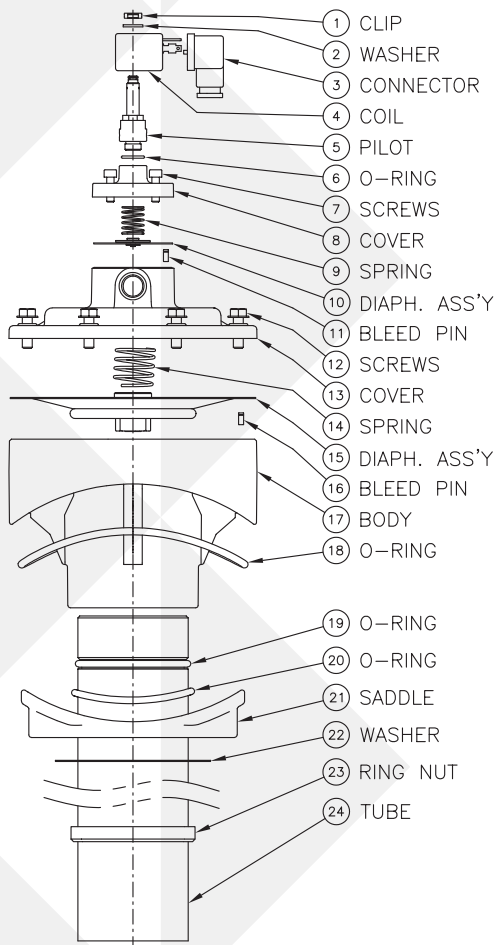
KF 62MR 12 1 2 0 - 203 - L 0

Product Type KF Full immersion kit	Blowpipe Material 0 Carbon steel + cataphoresis 1 Stainless steel - 304L 2 Stainless steel - 316L
Valve Size 62MR 2 1/2" double-stage valve 76MR 3" double-stage valve	Blowpipe Type & Size S Short unthreaded L Long unthreaded F Long threaded * See sizing table on previous page.
Tank Size 12 12"	Pilot Type * Remote pilot - Leave blank. * Integrally piloted - See solenoid ordering code on the last page.
Pilot Size 1 1/4"	Diaphragm Material 0 Nitrile (-40°C to +82°C) 1 Viton (-29°C to +232°C)
Pilot & Secondary Exhaust Thread 2 G	

NOTE: Other configurations may be available upon request.

NOTE: If integrally piloted, see the solenoid section on the last page for solenoid temperature ratings.

FULL IMMERSION KIT EXPLODED VIEW



PRODUCT KIT PART NUMBERS

NAME & DESCRIPTION	COMPONENTS	PART NUMBER
FI Kit - Pilot, Blowpipe & Double Stage Valve	1, 2, 3, 4, 5, 6, 7, 8, 9, 10, 11, 12, 13, 14, 15, 16, 17, 18, 19, 20, 21, 22, 23, 24	Refer to product ordering code.
FI Kit - Blowpipe & Double Stage Valve	7, 8, 9, 10, 11, 12, 13, 14, 15, 16, 17, 18, 19, 20, 21, 22, 23, 24	
Diaphragm Kit - 62MR & 76MR	9, 10, 11, 14, 15, 16	Nitrile: KIT K7604 Viton: KIT K7601
Full Immersion Gasket Kit (5PCS)	18, 19, 20, 22	2 1/2" Valve - KOR62MR12X* 3" Valve - KOR76MR12X*
Remote Top Section Kit - Double Stage Valve	7, 8, 9, 10, 11, 12, 13, 14, 15, 16	KV76MRYZX
Blowpipe Kit	19, 20, 21, 22, 23, 24	2 1/2" Valve - KB520GX*-TWU 3" Valve - KB524GX*-TWU
PV Pilot Kit (KIT PV)	1, 2, 3, 4, 5, 6	See Solenoid kit part numbers on the last page.
Coil Connector (KIT PLG)	3	
SB Coil Kit (KIT SB)	1, 2, 4	
Pilot Valve Kit (KIT CP)	1, 2, 5, 6	

Part Number Key (Refer product code above)

- X - See "Diaphragm Material" (* Use diaphragm material codes to select gasket material)
- Y - See "Pilot Size"
- Z - See "Pilot & Secondary Exhaust Thread"
- W - See "Blowpipe Type & Size"
- U - See "Blowpipe Material"

GOYEN

3" CLOSE PITCHED VALVE FOR 12" TANKS



PRODUCT LEAFLET

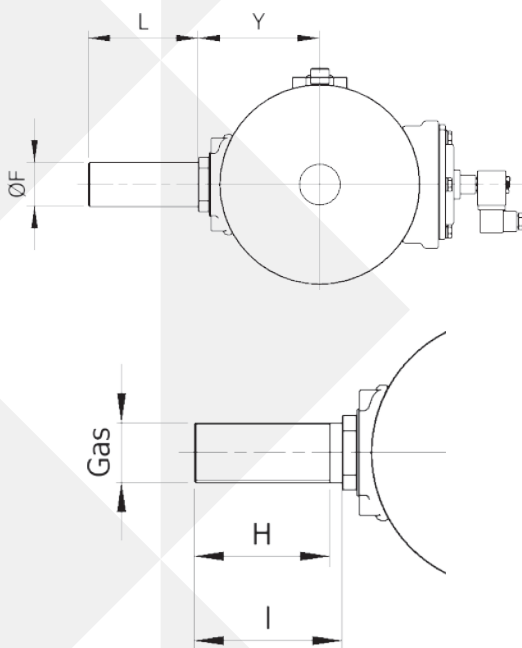
VALVE SPECIFICATIONS

TOP COVER	Diecast aluminium
BODY	Diecast aluminium
PILOT BASE	Aluminium
PILOT	Stainless steel
MAIN SPOOL	Nylon
SECOMDARY DIAPHRAGM	Nitrile
BOLTS	Stainless steel
DIAPHRAGM BACKING DISK	Stainless steel
DIAPHRAGM SPRING	Stainless steel

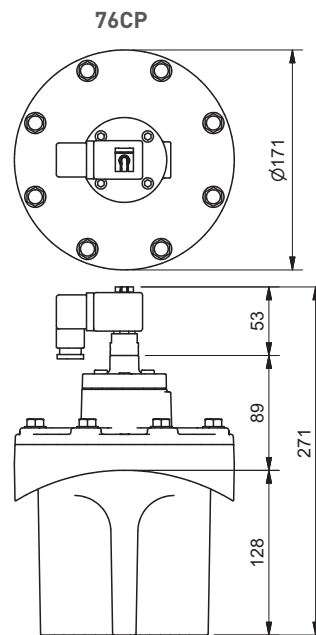


MODEL	PORT SIZE	TANK SIZE	PRESSURE MIN	PRESSURE MAX	KV	CV
76CP	3"	12"	1 BAR	8.6 BAR	200	233

BLOWTUBE SIZING



VALVE DIMENSIONS



Ø TANK	Ø F	Y	SHORT UNTHREADED	L	LONG UNTHREADED	L	LONG THREADED	Ø G GAS	H	I
DN12"	88.9	187.5	TS76CP	80	TL76CP	140	TF76CP	3"	130	140

APPROVALS

76CP – CRN: 0C22172.5

GOYEN

3" CLOSE PITCHED VALVE FOR 12" TANKS

PRODUCT LEAFLET



PRODUCT ORDERING CODE

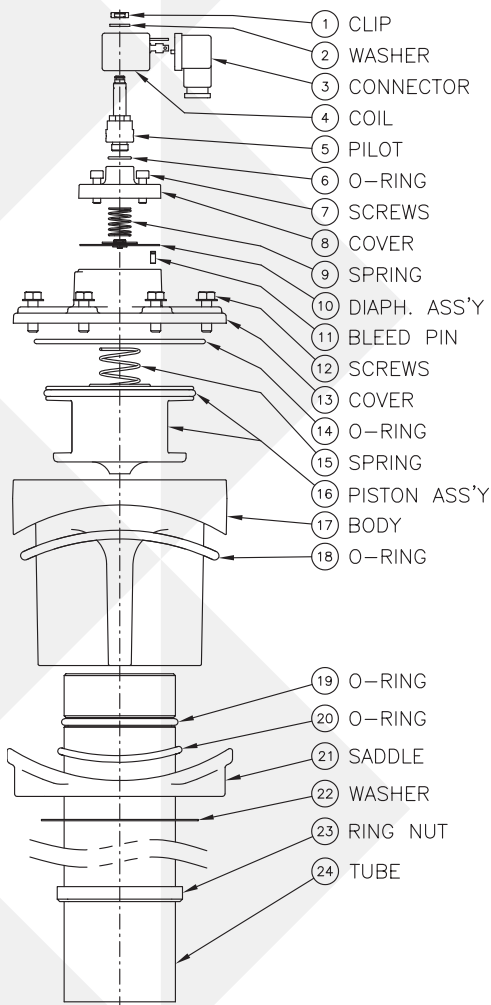
KF 76CP 12 1 2 0 - 203 - L 0

<p>Product Type KF Full immersion kit</p> <p>Valve Size 76CP 3" double-stage valve</p> <p>Tank Size 12 12"</p> <p>Pilot Size 1 1/4"</p> <p>Pilot & Secondary Exhaust Thread 2 G</p>	<p>Blowpipe Material 0 Carbon steel + cataphoresis 1 Stainless steel - 304L 2 Stainless steel - 316L</p> <p>Blowpipe Type & Size S Short unthreaded L Long unthreaded F Long threaded <small>* See sizing table on previous page.</small></p> <p>Pilot Type <small>* Remote pilot - Leave blank. * Integrally piloted - See solenoid ordering code on the last page.</small></p> <p>Diaphragm Material 0 Nitrile (-30°C to +200°C)</p>
--	---

NOTE: Other configurations may be available upon request.

NOTE: If integrally piloted, see the solenoid section on the last page for solenoid temperature ratings.

FULL IMMERSION KIT EXPLODED VIEW



PRODUCT KIT PART NUMBERS

NAME & DESCRIPTION	COMPONENTS	PART NUMBER
FI Kit - Pilot, Blowpipe & Double Stage Valve	1, 2, 3, 4, 5, 6, 7, 8, 9, 10, 11, 12, 13, 14, 15, 16, 17, 18, 19, 20, 21, 22, 23, 24	Refer to product ordering code.
FI Kit - Blowpipe & Double Stage Valve	7, 8, 9, 10, 11, 12, 13, 14, 15, 16, 17, 18, 19, 20, 21, 22, 23, 24	
Valve Repair Kit	9, 10, 11, 14, 15, 16	K7614
Full Immersion Gasket Kit (5PCS)	18, 19, 20, 22	K0R76CP12X*
Remote Top Section Kit - Double Stage Valve	7, 8, 9, 10, 11, 12, 13, 14, 15, 16	KV76CPYZX
Blowpipe Kit	19, 20, 21, 22, 23, 24	KB76CPX*-TWU
PV Pilot Kit (KIT PV)	1, 2, 3, 4, 5, 6	See Solenoid kit part numbers on the last page.
Coil Connector (KIT PLG)	3	
SB Coil Kit (KIT SB)	1, 2, 4	
Pilot Valve Kit (KIT CP)	1, 2, 5, 6	

Part Number Key (Refer product code above)

- X - See "Diaphragm Material" (* Use diaphragm material codes to select gasket material)
- Y - See "Pilot Size"
- Z - See "Pilot & Secondary Exhaust Thread"
- W - See "Blowpipe Type & Size"
- U - See "Blowpipe Material"

GOYEN MECAIR

SOLENOID OPTIONS



PRODUCT LEAFLET

ELECTRICAL CHARACTERISTICS

DIN SOCKET CONNECTOR	Pg9 connection (cable entry), standard version
DIN SOCKET SPECIFICATION	EN175301 - 803 (previously DIN 43650A) / A/ISO 4400
DIN SOCKET OPTIONAL	2014/24/EU ATEX II 3GD T6
ISOLATION CLASS DIN SOCKET	VDE 0110 - 1/89
DIN SOCKET PROTECTION	IP65 EN60529, standard version
COPPER WIRE & ISOLATION CLASS	H class (180°C/200°C)

PRODUCT ORDERING CODE

2 0 5

Voltage options

- 3 Dual rating: 110V DC 18W or 220/240V 50/60Hz 46/37VA
- 4 Dual rating: 48V DC 18W or 115V 50/60Hz 63/53VA
- 5 Dual rating: 24V DC 18W or 48V 50/60Hz 41/32VA
- 6 Dual rating: 12V DC 18W or 24V 50/60Hz 38/31VA

Coil connection

0 - Square DIN connector

Coil series

2 - DIN 43650 Form B connection

ATEX Note:

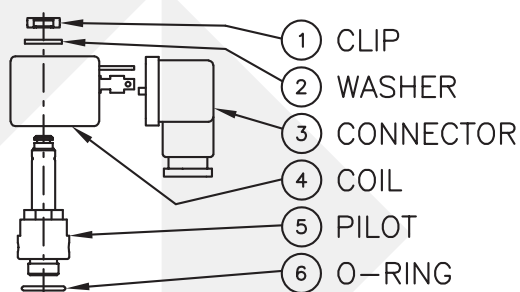
- Add an X after the 3-digit number code.
- For MR & CP Valves only, the X replaces the dash before the blowtube material.
- For product kit part numbers add a X after **CODE**.

MODEL	TYPE	VOLTAGE (DUAL RATED)	POWER	COLOUR	CODE
206	SB4	12 V DC or 24 V 50/60 Hz (max + 10% supply)	18 W or 38/31 VA	Black	24/50
205	SB4	24 V DC or 48 V 50/60 Hz (max + 10% supply)	18 W or 41/32 VA	Black	24/DC
204	SB4	48 V DC or 110/127 V 50/60 Hz (max + 10% supply)	18 W or 63/53 VA	Black	110/50
203	SB4	110 V DC or 220/240 V 50/60 Hz (max + 10% supply)	18 W or 46/37 VA	Black	220/50

PILOT VALVE SPECIFICATIONS

TEMP MIN	TEMP MAX	PRESSURE MIN	PRESSURE MAX	KV	CV
-30°C	70°C	0 BAR	8.6 BAR	0.24	0.28

KIT EXPLODED VIEW



PRODUCT KIT PART NUMBERS

NAME & DESCRIPTION	COMPONENTS	PART NUMBER
PV Pilot Kit (KIT PV)	1, 2, 3, 4, 5, 6	KIT PV- CODE
Coil Connector (KIT PLG)	3	Standard - Kit PLG9 ATEX - KIT PLG11-ATEX
SB Coil Kit (KIT SB)	1, 2, 4	KIT SB4- CODE -18W
Pilot Valve Kit (KIT CP)	1, 2, 5, 6	KIT CP1/4

Part Number Key (Refer product code above)

- **CODE** - See code from the table above, e.g. "24/DC"



GOYEN CONTROLS PTY LIMITED

268 MILPERRA ROAD, MILPERRA NSW 2214, AUSTRALIA

MECAIR SRL

VIA BERTACCIOLA, 50, 20813 BOVISIO MASCIAGO (MB), ITALY

Note: The information and data contained in this document are based on our general experience and are believed to be correct. They are given in good faith and are intended to provide a guideline for the selection and use of our products. Since the conditions under which our products may be used are beyond our control, this information does not imply any guarantee of final product performance and we cannot accept any liability with respect to the use of our products. The quality of our products is guaranteed under our conditions of sale. Existing industrial property rights must be observed.
PL PENTAIR GOYEN MECAIR MANIFOLD MOUNT ROUND VALVE KITS 3517 © 2023 Pentair. All Rights Reserved.